

HP4 (C249)

PARTS CATALOG

First edition, August 2003

Ricoh Company, LTD.

HP4 (C249)

PARTS CATALOG

This catalog gives the numbers and names of parts on this machine.

HP4	(C249)
Platen Cover Type 1018	(B406)
Document Feeder	(C600)

HP4 (C249)

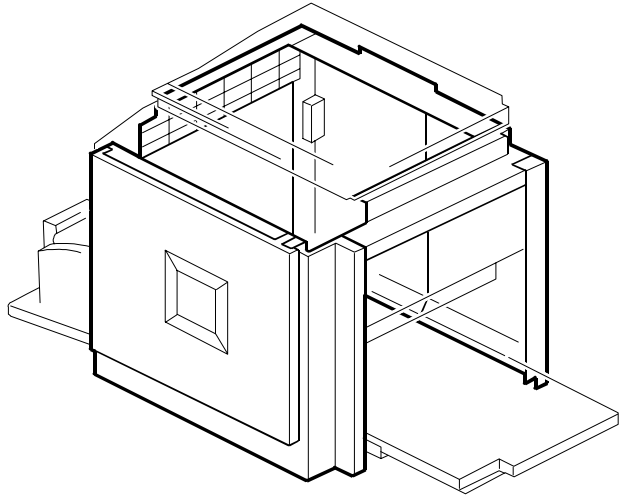
Location of unit	2
1.Exterior (C249)	8
2.Operation Panel (C249)	10
3.Scanner Unit 1 (C249).....	12
4.Scanner Unit 2 (C249).....	14
5.Scanner Unit 3 (C249).....	16
6.Paper Table Section (C249).....	18
7.Paper Feed Section (C249).....	20
8.Paper Regisrration (C249)	22
9.Plotter Unit 1 (C249).....	24
10.Plotter Unit 2 (C249).....	26
11.Plotter Unit 3 (C249).....	28
12.Press Roller Section (C249).....	30
13.Drum Unit 1 (C249)	32
14.Drum Unit 2 (C249)	34
15.Drum Unit 3 (C249)	36
16.Drum Unit 4 (C249)	38

17.Vacuum Fan Unit (C249).....	40
18.Delibary Table (C249)	42
19.Master Eject Unit (C249)	44
20.Drive Section 1 (C249)	46
21.Drive Section 2 (C249)	48
22.Electrical Section 1 (C249).....	50
23.Electrical Section 2 (C249)	52
24.Electrical Section 3 (C249 CHINA MODEL ONLY) .	54
25.Frame Section (C249)	56
26.MPU Board (C249)	58
27.Decals And Documents (C249)	66
28.Accessories And Special Tools (C249)	68
Parts Index	71

August ,30 ' 2003

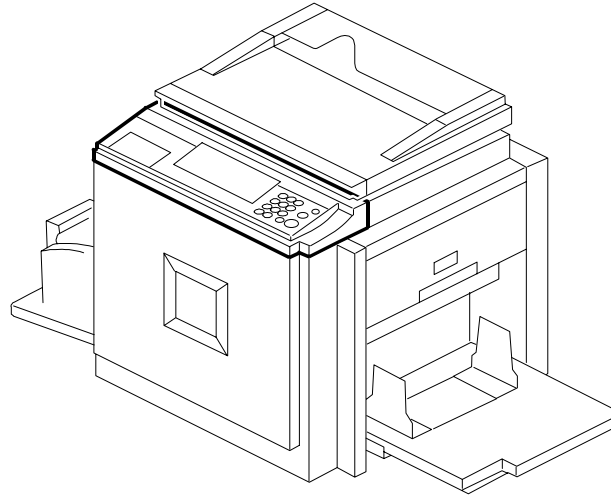
LOCATIONS OF UNITS

1. Exterior (C249)



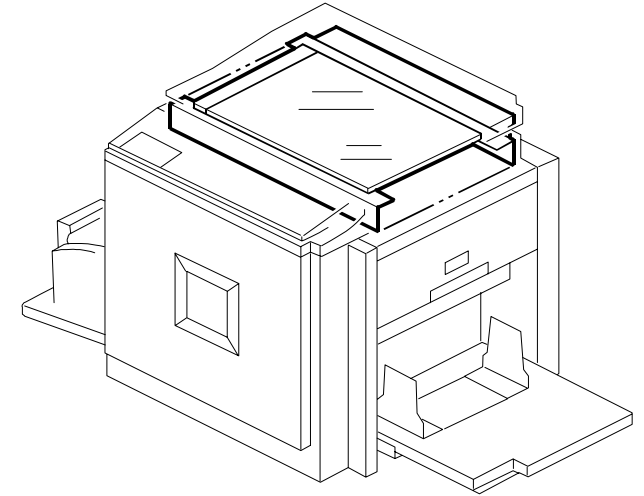
See Page 9

2. Operation Panel (C249)



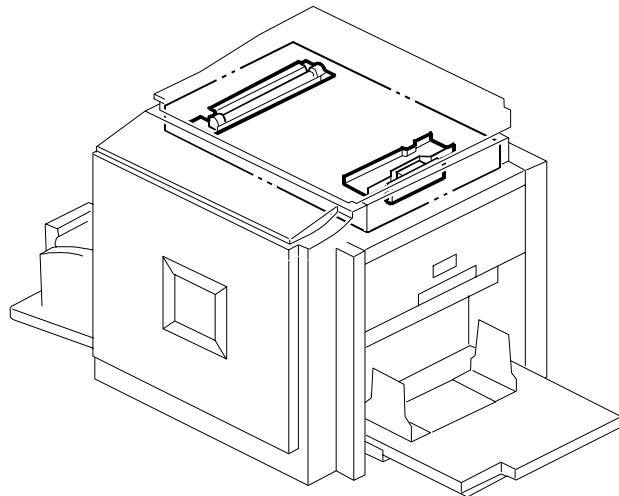
See Page 11

3. Scanner Unit 1 (C249)



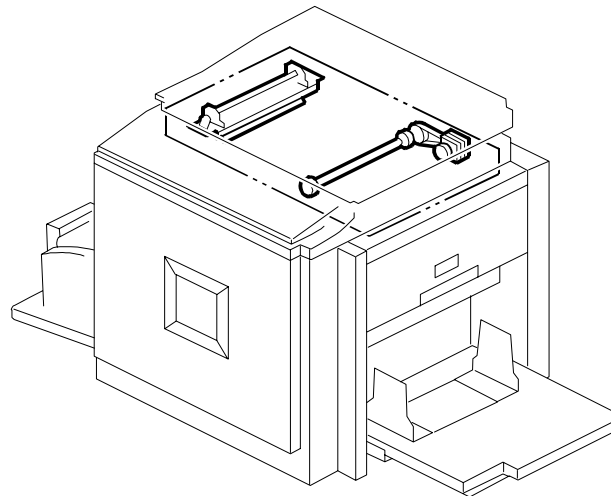
See Page 13

4. Scanner Unit 2 (C249)



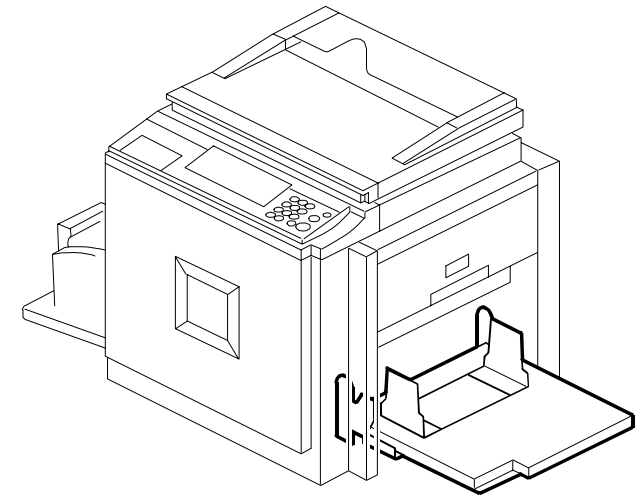
See Page 15

5. Scanner Unit 3 (C249)



See Page 17

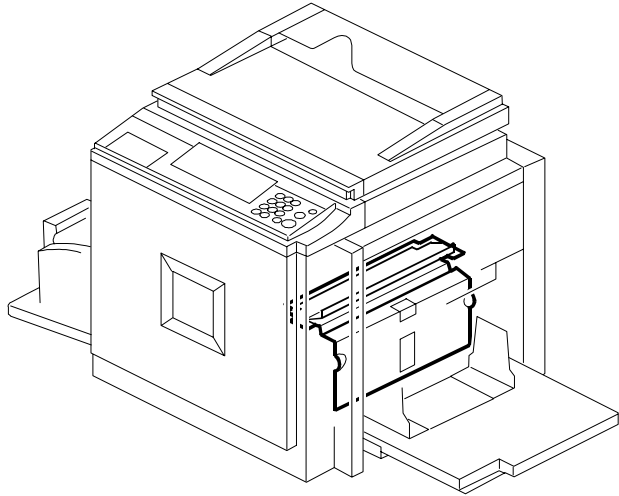
6. Paper Table Section (C249)



See Page 19

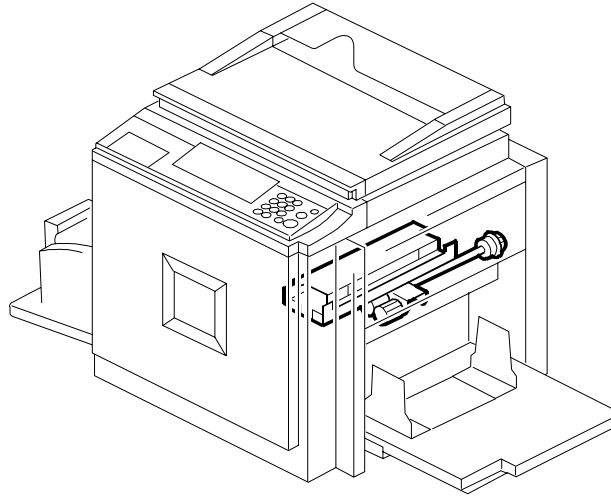
LOCATIONS OF UNITS

7. Paper Feed Section (C249)



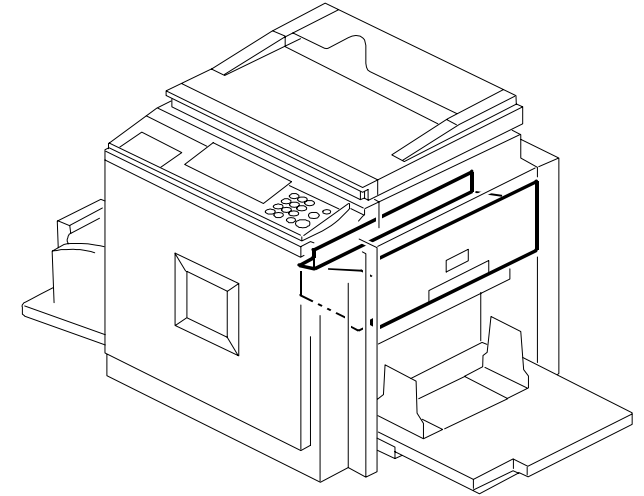
See Page 21

8. Paper Registration (C249)



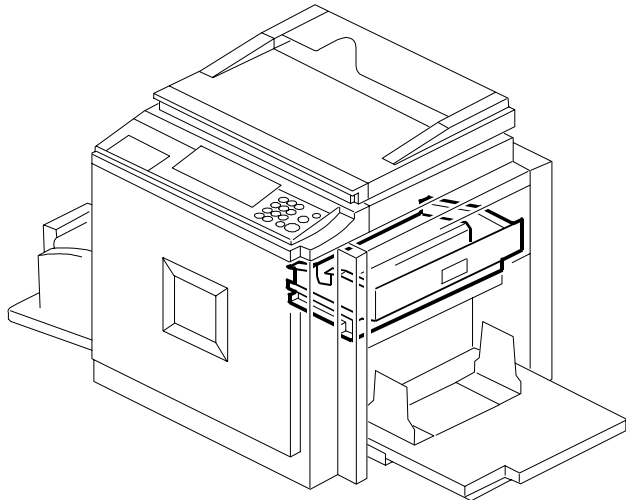
See Page 23

9. Plotter Unit 1 (C249)



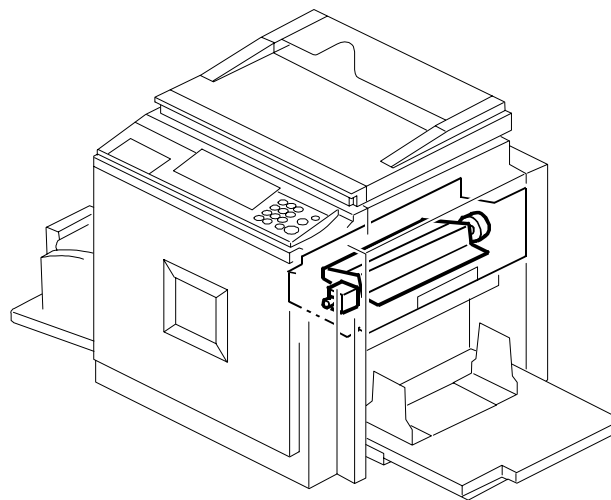
See Page 25

10. Plotter Unit 2 (C249)



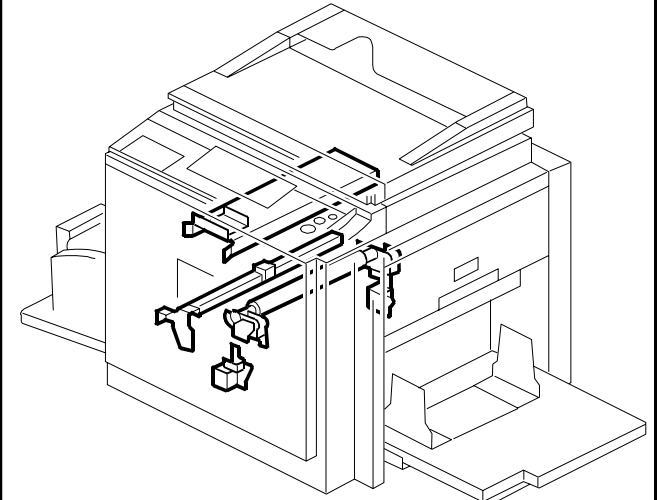
See Page 27

11. Plotter Unit 3 (C249)



See Page 29

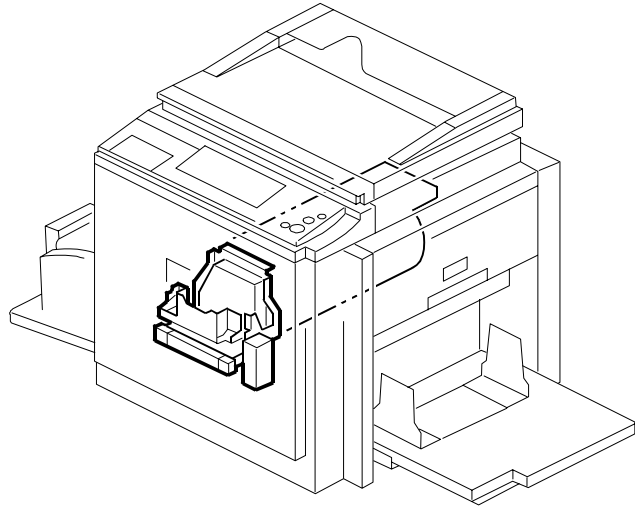
12. Press Roller Section (C249)



See Page 31

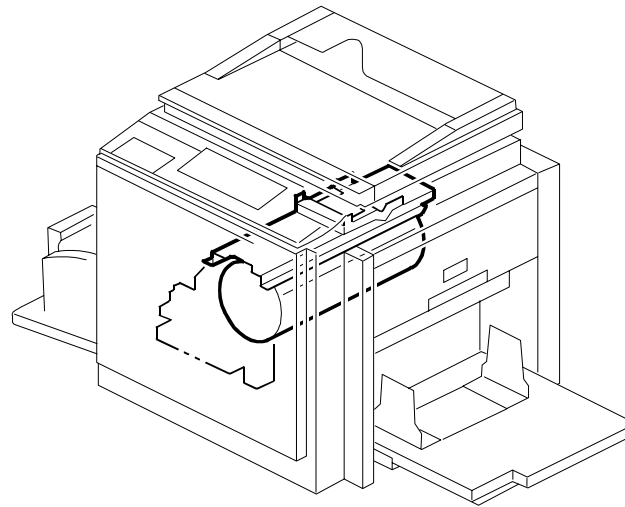
LOCATIONS OF UNITS

13. Drum Unit 1 (C249)



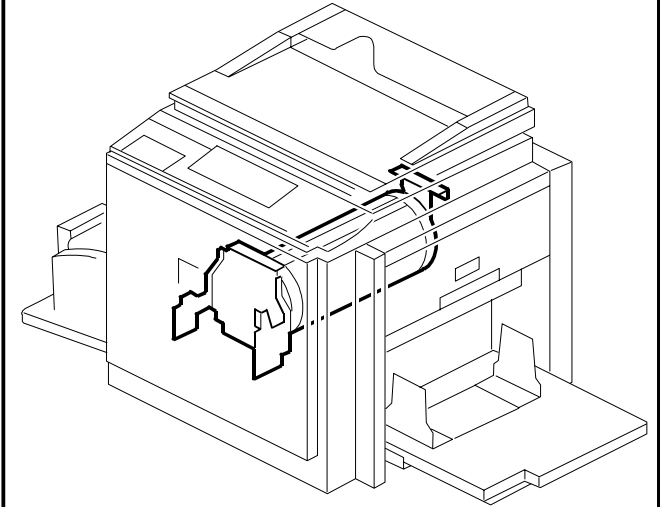
See Page 33

14. Drum Unit 2 (C249)



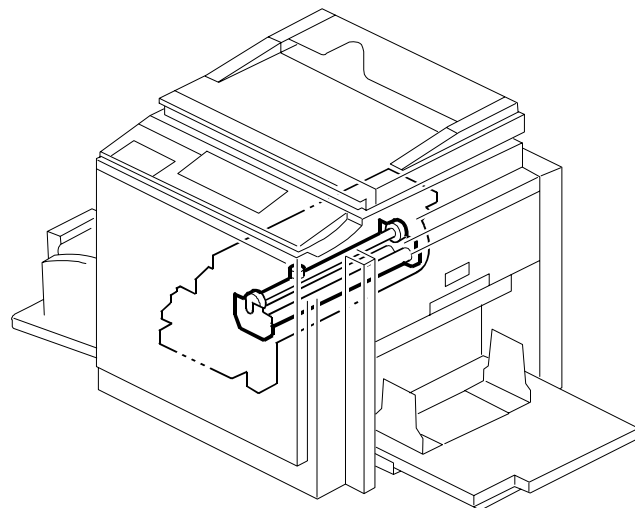
See Page 35

15. Drum Unit 3 (C249)



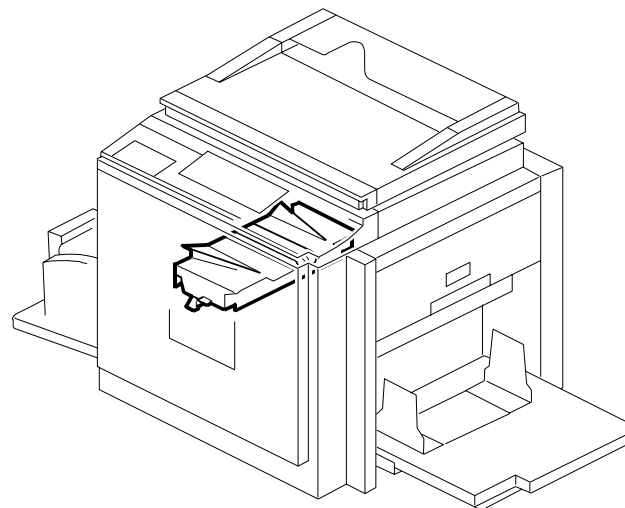
See Page 37

16. Drum Unit 4 (C249)



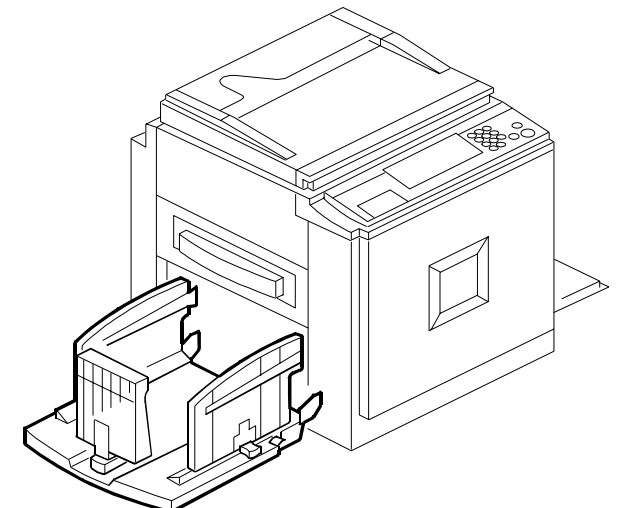
See Page 39

17. Vacuum Fan Unit (C249)



See Page 41

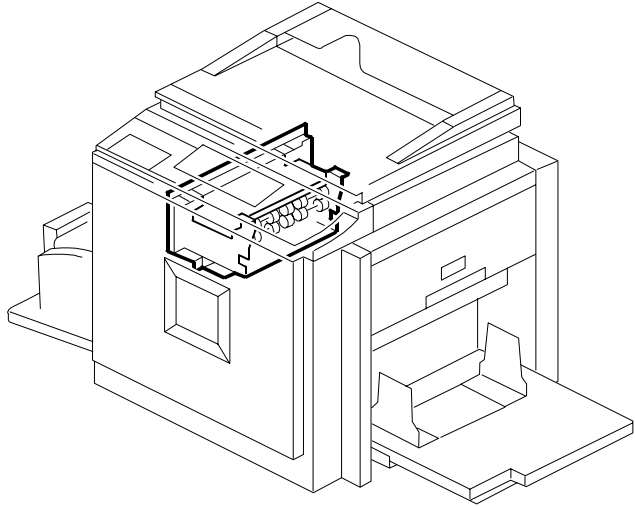
18. Delivery Table (C249)



See Page 43

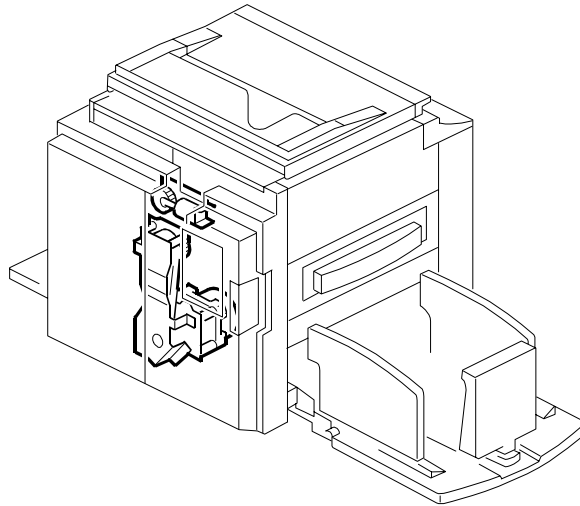
LOCATIONS OF UNITS

19. Master Eject Unit (C249)



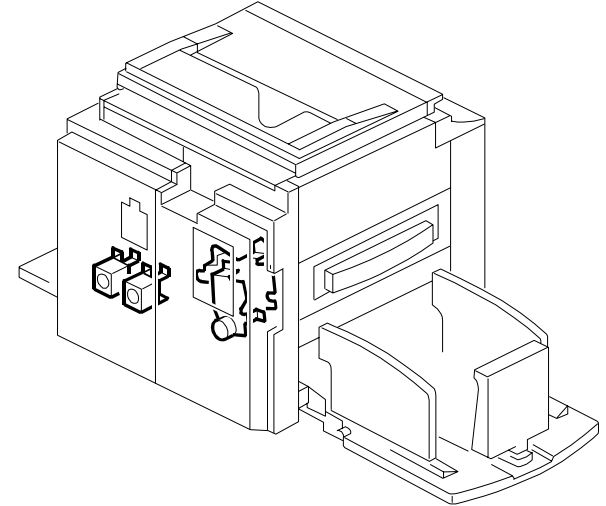
See Page 45

20. Drive Section 1 (C249)



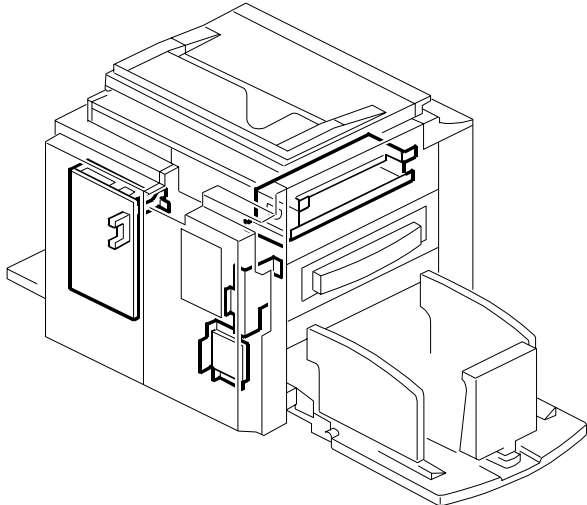
See Page 47

21. Drive Section 2 (C249)



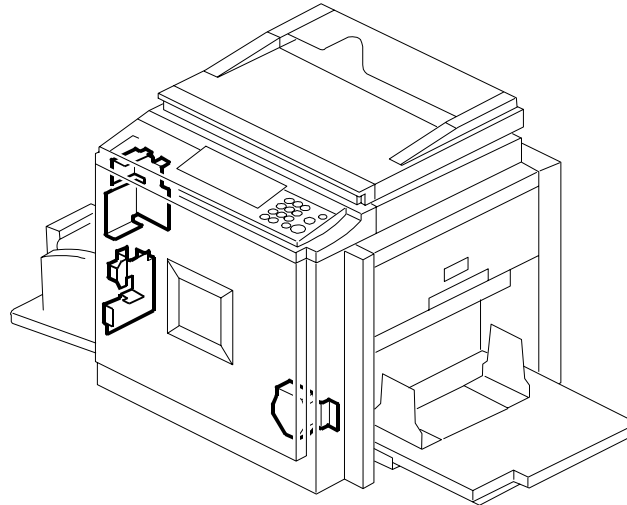
See Page 49

22. Electrical Section 1 (C249)



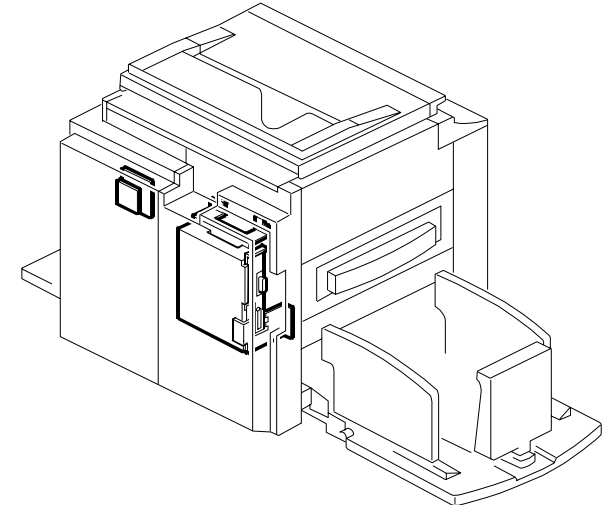
See Page 51

23. Electrical Section 2 (C249)



See Page 53

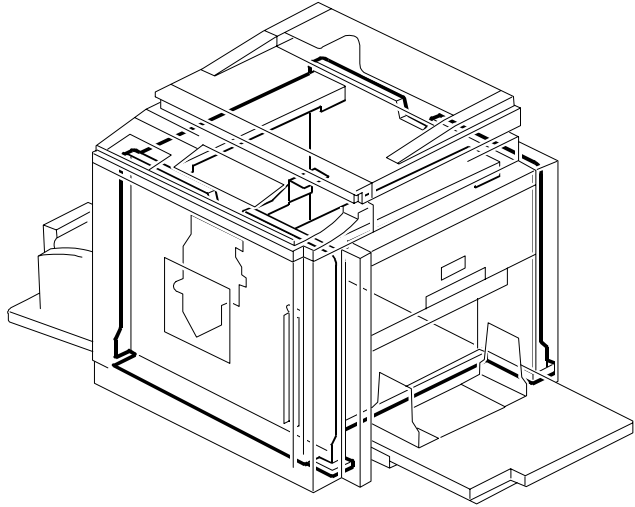
24. Electrical Section 3 (C249)



See Page 55

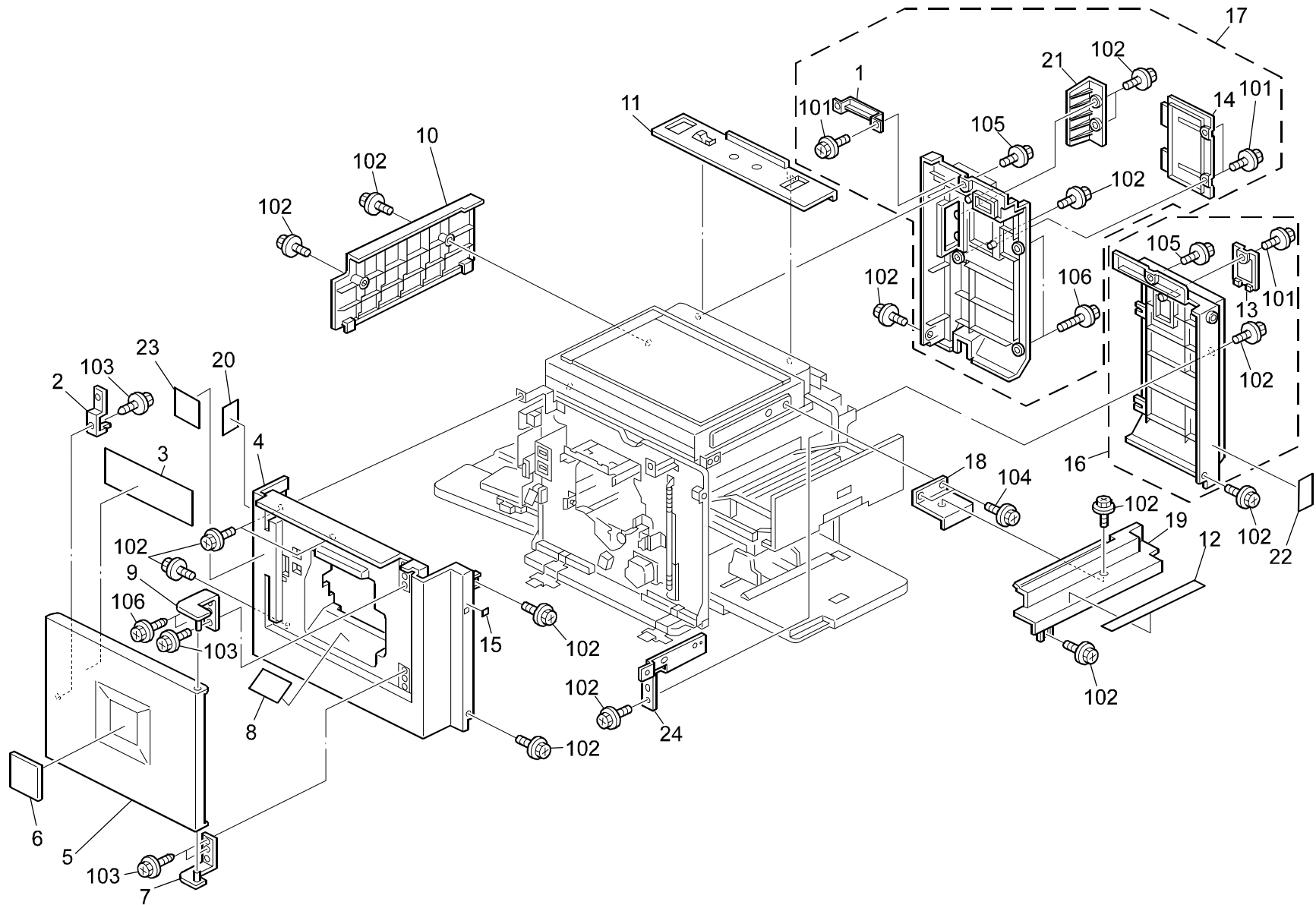
LOCATIONS OF UNITS

25. Frame Section (C249)



See Page 57

1.Exterior (C249)

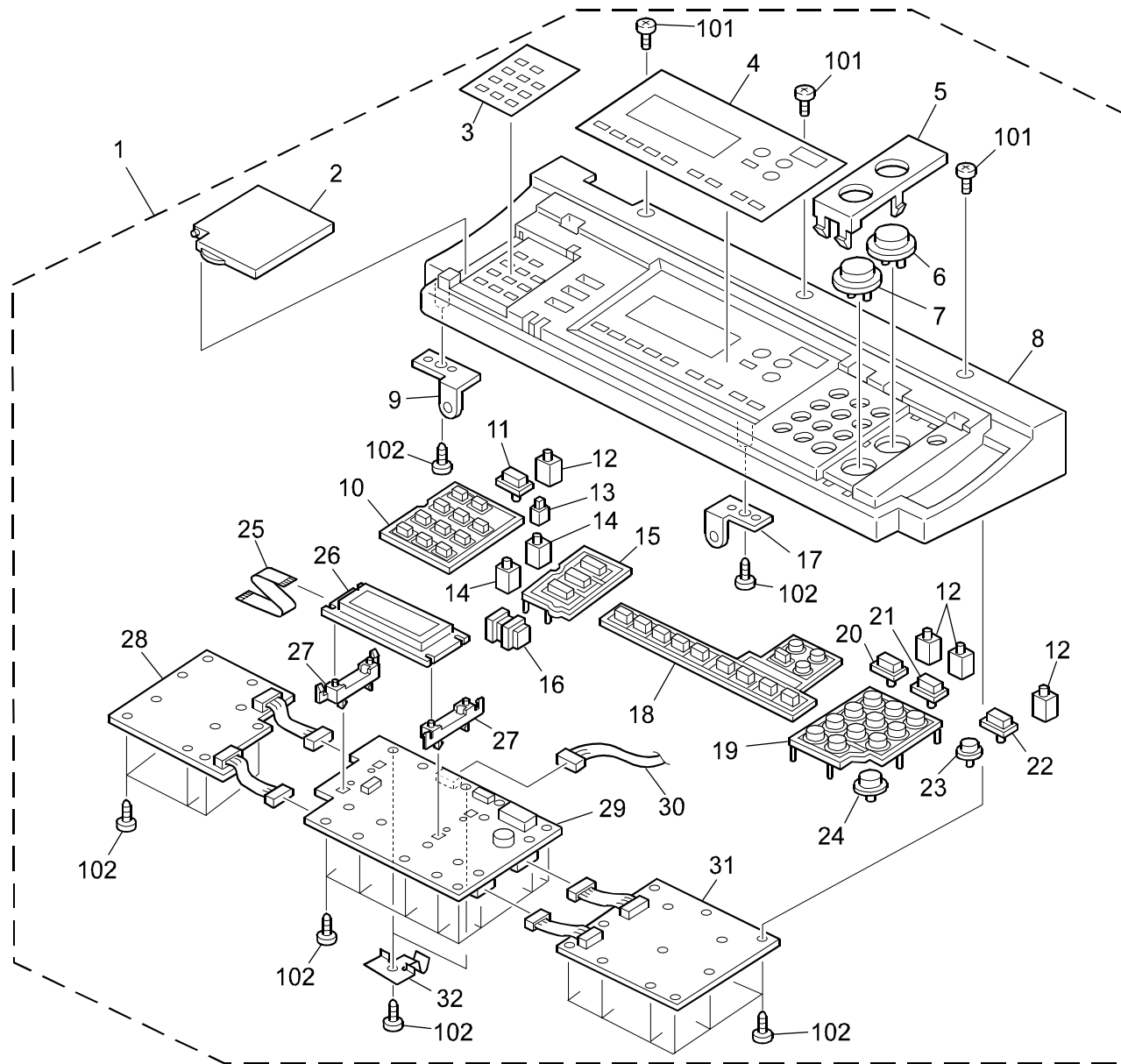


1.Exterior (C249)

Index No.	Part No.	Description	Q'ty Per Assembly
1	C249 1371	Small Cover	1
2	C238 1291	Safe Switch Bracket	1
3	C238 1301	Operation Sheet	1
4	C238 1265	Front Cover	1
5	C238 1290	Door Cover	1
6	C249 1320	Emblem Decal - SD420	1
6	C249 1321	Emblem Decal - GES	1
6	C249 1322	Emblem Decal - REX	1
6	C249 1323	Emblem Decal - NSA	1
6	C249 1269	Emblem Decal - JP4500	1
6	C249 1326	Emblem Decal - 6254P	1
6	C249 1325	Emblem Decal - JP4510P	1
7	C238 1391	Lower Hinge	1
8	C238 1312	Decal - Exit Pawl	1
9	C238 1390	Upper Hinge	1
10	C238 1242	Left Scanner Cover	1
11	B024 1251	Upper Rear Cover - Scanner	1
12	C249 5660	Decal - Master Set	1
13	C238 1365	Card Cap	1
14	C238 1364	Control Board Cap	1
15	C238 1352	Decal - Paper Table	1
16	C238 1361	Rear Cover Ass'y - Right	1
17	C249 1362	Rear Cover Ass'y - Left (NA/EU/AA)	1
17	C249 1358	Rear Cover Ass'y - Left (CHN)	1
18	C238 1385	Scanner Cover Bracket	1
19	C238 1241	Rear Scanner Cover	1
20	C238 1314	Decal - Main Switch - CHN	1
21	C238 1363	Control Unit Cap	1
22	C238 1359	Decal - Paper Table	1
23	C249 1356	Counter Sheet	1

Index No.	Part No.	Description	Q'ty Per Assembly
101	0450 3008H	Tapping Screw - M3x8	
102	0451 4008H	Tapping Screw - 4x8	
103	0450 4010B	Tapping Screw - 4x10	
104	0451 3006B	Tapping Screw - M3x6	
105	0451 3010H	Tapping Screw - 3x10	
106	0451 4012H	Tapping Screw - 4x12	

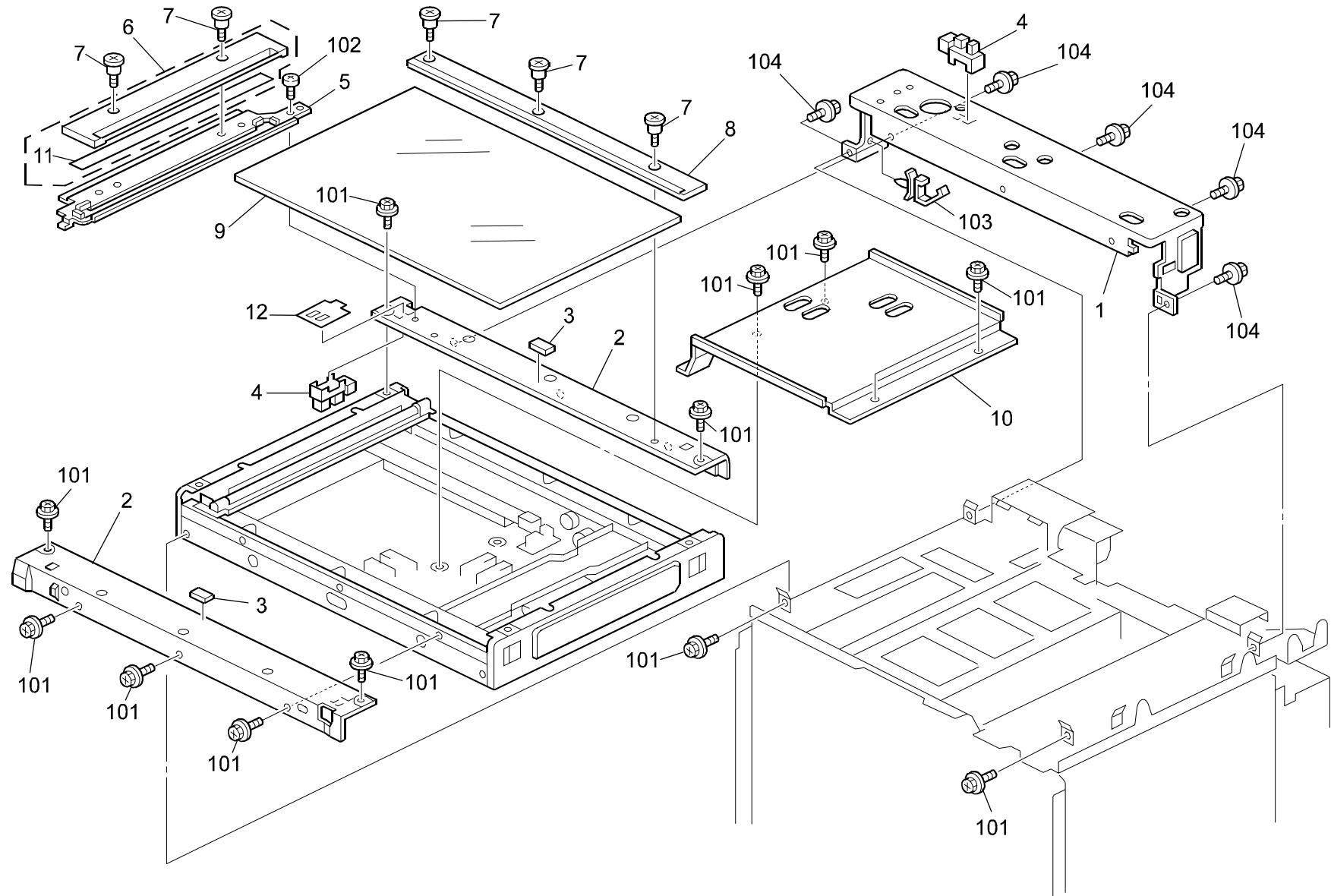
2.Operation Panel (C249)



2.Operation Panel (C249)

Index No.	Part No.	Description	Q'ty Per Assembly	Index No.	Part No.	Description	Q'ty Per Assembly
1	C249 1463	Operation Panel Ass'y- NA	1	23	C249 1478	Trial Printkey	1
1	C249 1465	Operation Panel Ass'y - EU AA	1	24	C249 1484	Clear/Stopkey	1
1	C249 1464	Operation Panel Ass'y - CHN	1	25	C249 5199	Flat Harness	1
2	C249 1472	Panel Cover	1	26	C249 5195	Panel LCD	1
3	C249 1498	Left Sheet - NA	1	27	C249 5194	LCD Stand	2
3	C249 1500	Left Sheet - EU:AA	1	28	C249 5181	Left Panel Board	1
3	C249 1499	Left Sheet - CHN	1	29	C249 5193	Center Panel Board	1
4	C249 1501	Middle Sheet - NA	1	30	C249 5200	DC Harness	1
4	C249 1503	Middle Sheet - EU:AA	1	31	C249 5183	Right Panel Board	1
4	C249 1502	Middle Sheet - CHN	1	32	C249 1447	Spring Plate	2
5	C249 1483	Key Change Cover	1				
6	C249 1504	Print Key - NA	1				
6	C249 1509	Start Key - EU:AA	1				
6	C249 1505	Start Key - CHN	1				
7	C249 1507	Start Key - NA	1				
7	C249 1506	Print Key - EU:AA	1				
7	C249 1508	Print Key - CHN	1				
8	C249 1451	Panel Base - NA	1				
8	C249 1457	Panel Base - EU:AA	1				
8	C249 1456	Panel Base - CHN	1				
9	C249 1445	Left Bracket	1				
10	C249 1485	Left Keys	1				
11	C249 1480	User Setting Key	1				
12	C249 1490	Upper Lens	4				
13	C249 1493	Left Small Lens	1				
14	C249 1491	On Line Lens	2				
15	C249 1473	On Line Keys (NA/EU/AA)	1				
15	C249 1510	Online Key - CHN	1				
16	C249 1492	Data Lens	1				
17	C249 1446	Right Bracket	1				
18	C249 1482	Center Keys	1				
19	C249 1477	10key	1				
20	C249 1476	Programkey	1				
21	C249 1475	Clear Modeskey	1	101	0353 0040H	Screw:M3x4	
22	C249 1474	Contenuancekey	1	102	0452 3008H	Binding Self-tapping Screw - 3x8	

3.Scanner Unit 1 (C249)

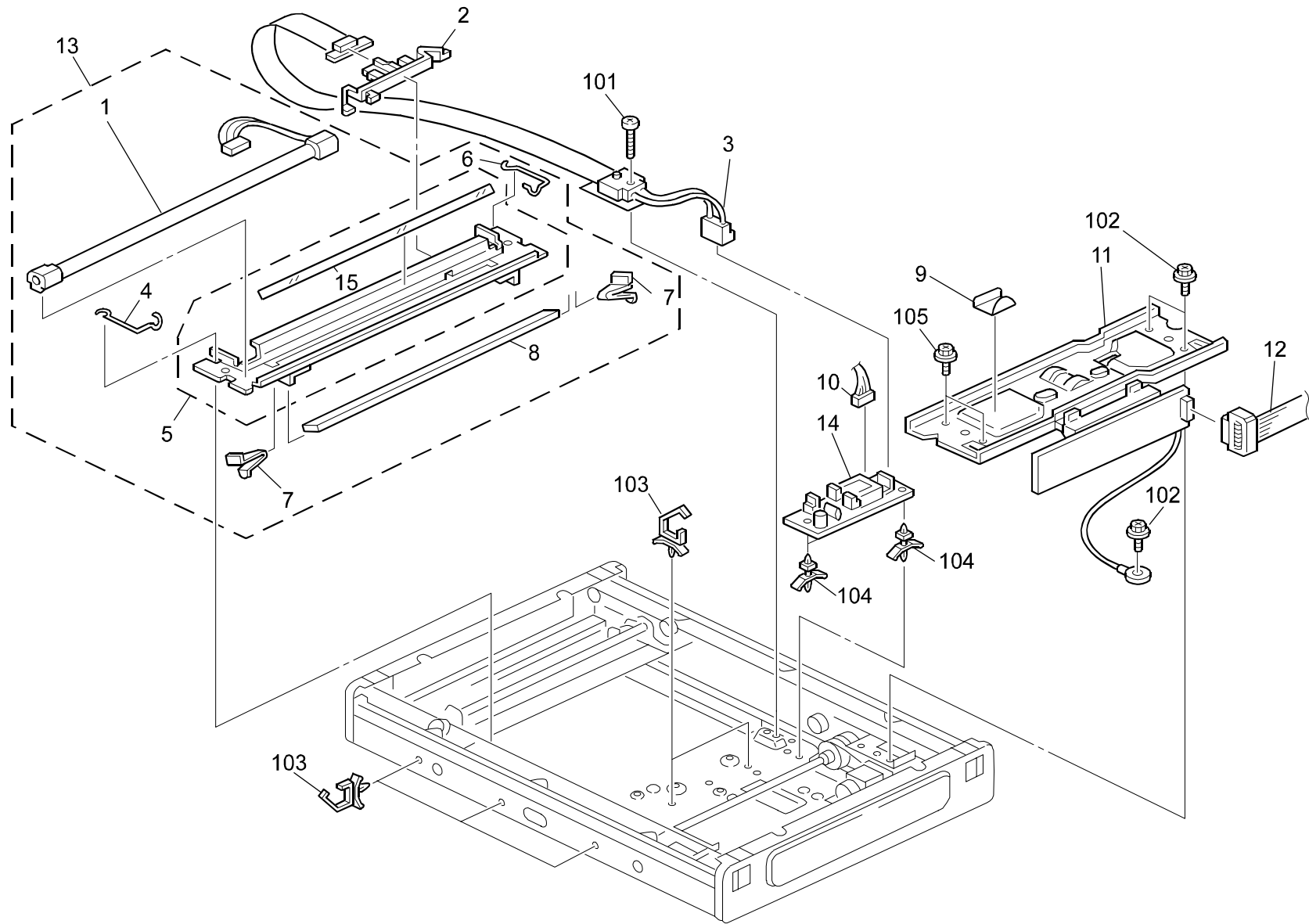


3.Scanner Unit 1 (C249)

Index No.	Part No.	Description	Q'ty Per Assembly
1	A267 1814	Hinge Bracket - Platen Cover	1
2	A267 1813	Scanner Frame	2
3	5442 1924	Exposure Glass Cushion	2
4	AW02 0086	Photointerruptor	2
5	B027 1742	Bracket:Scale:Ass'y	1
6	B024 1680	Left Scale	1
7	A193 1759	Stepped Screw	5
8	B024 1701	Inner Back Scale	1
9	A250 1752	Exposure Glass	1
10	A267 1815	Right Inner Cover	1
11	A193 1752	White Sheet	1
12	A267 1820	Sheet - Photointerrupter	1

Index No.	Part No.	Description	Q'ty Per Assembly
101	0451 3006B	Tapping Screw - M3x6	
102	0353 0050Z	Philips Truss Head Screw - M3x5	
103	1105 0488	Harness Clamp	
104	0451 3008B	Tapping Screw - M3x8	

4.Scanner Unit 2 (C249)

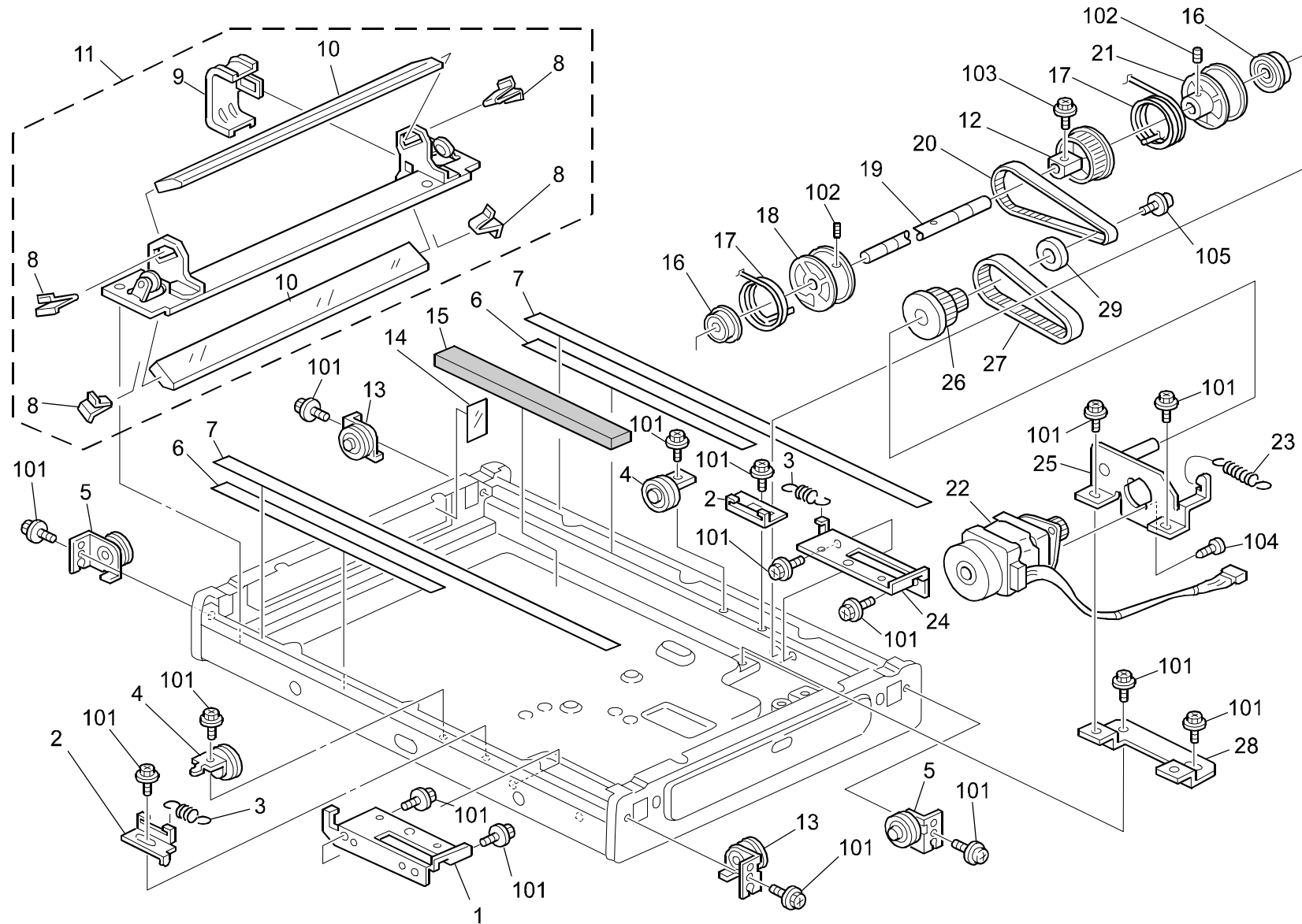


4.Scanner Unit 2 (C249)

Index No.	Part No.	Description	Q'ty Per Assembly
1	C236 1672	Xenon Lamp - 10	1
2	A267 1758	Harness Guide - Exposure Lamp	1
3	A267 5703	Flexible Cable	1
4	A193 1766	Wire Clamp	1
5	A267 1752	1st Scanner Housing	1
6	A193 1769	Clamp - Rear Wire	1
7	A193 1767	1st Mirror Holder	2
8	A250 1784	1st Mirror	1
9	C236 1719	Ground Plate - Scanner Unit	1
10	C249 5220	Scanner Harness	1
11	C236 1673	Lens Ass'y	1
12	C236 5209	SBU Harness	1
13	C236 1655	Carriage No.1 Ass'y	1
14	A250 5736	Lamp Stabilizer	1
15	A100 1714	Reflector	1

Index No.	Part No.	Description	Q'ty Per Assembly
101	0453 3014B	Tapping Screw - M3x14	
102	0802 5276	Tapping Screw With Washer - M3x6	
103	1105 0460	Clamp	
104	1105 0195	PCB Stud	
105	0451 3006B	Tapping Screw - M3x6	

5.Scanner Unit 3 (C249)



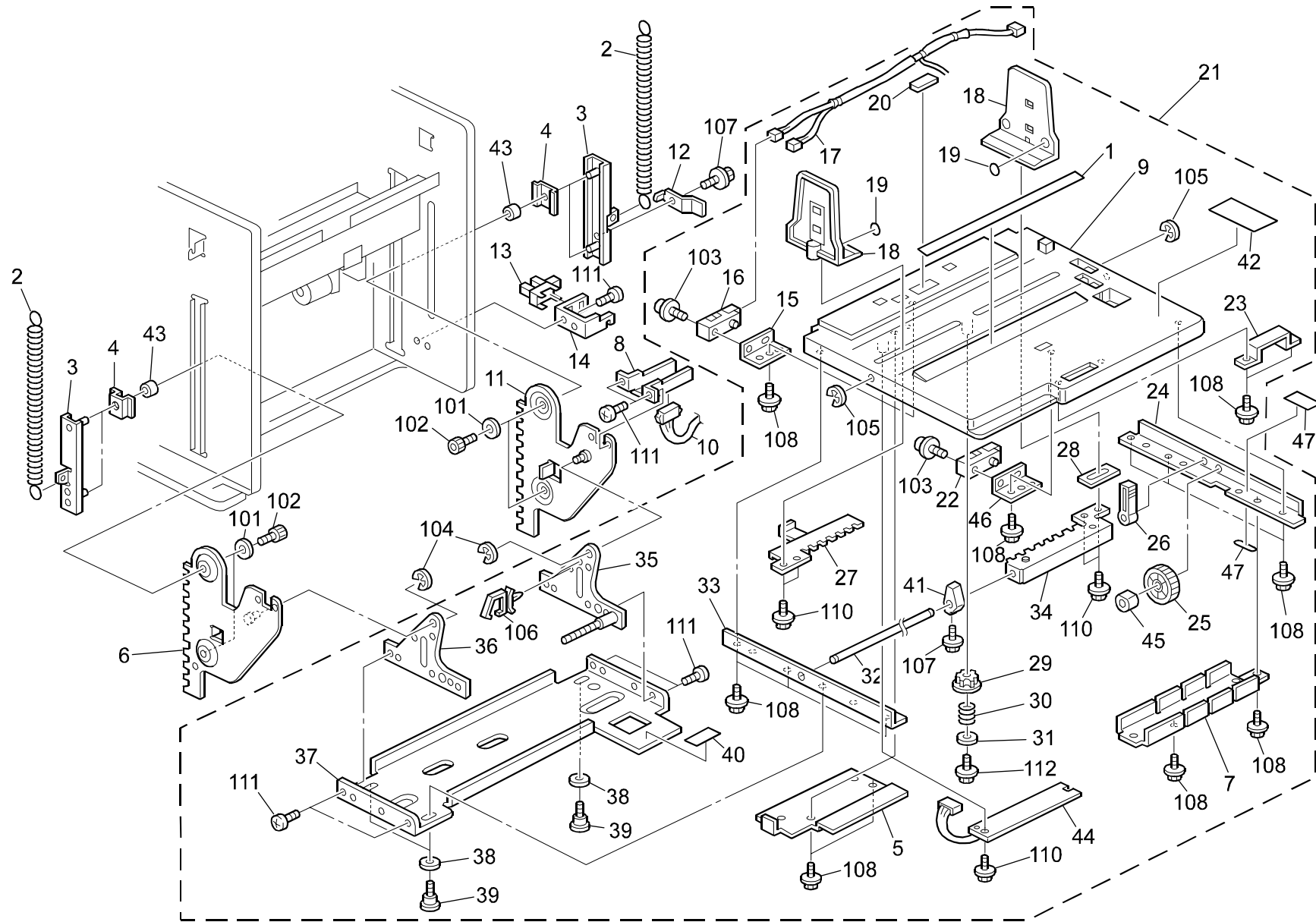
5.Scanner Unit 3 (C249)

Index No.	Part No.	Description	Q'ty Per Assembly
1	A267 1811	Front Stay Bracket	1
2	A267 1849	Tension Bracket	2
3	A193 1783	Tension Spring	2
4	A267 1846	Idler Bracket	2
5	A267 1853	Pulley - Front Left	2
6	A267 1817	Slide Rail - 2	2
7	A193 1816	1st Slide Rail	2
8	A267 1777	Mirror Holder	4
9	A267 1776	Guide - FPC	1
10	AC03 0123	3rd Mirror	2
11	A267 1671	Carriage - No.2 Ass'y	1
12	AB03 0630	Timing Pulley - 60T	1
13	A267 1854	Pulley - Rear Left	2
14	A267 1819	Insulating Sheet - Side Plate	1
15	A267 1816	Guide - Flexible Board	1
16	A193 1829	Ball Bearing - M8	2
17	AA05 0107	Scanner Wire	2
18	AB03 2066	Front Pulley - Wire Drive	1
19	A267 1825	Scanner Drive Shaft	1
20	C236 1822	Timing Belt - B60S2M186	1
21	AB03 2067	Rear Pulley - Wire Drive	1
22	C236 1825	Stepper Motor - Ass'y - DC 7.8W	1
23	C236 1816	Tension Spring 8215mn	1
24	A267 1812	Rear Stay Bracket	1
25	C236 1817	Motor Bracket	1
26	C236 1812	Pulley - Slow Down Ass'y	1
27	C236 1821	Timing Belt - B60S2M140	1
28	C236 1815	Stepper Motor Base	1
29	C236 1829	Slow Down Flange - MM15	1

Index No.	Part No.	Description	Q'ty Per Assembly
101	0451 3006B	Tapping Screw - M3x6	
102	0575 0050E	Hexagon Headless Set Screw - M5x5	
103	0451 3008B	Tapping Screw - M3x8	
104	0313 0050B	Philips Pan Head Screw - M3x5	
105	0951 3006Z	Philips Screw With Flat Washer - M3	



6.Paper Table Section (C249)

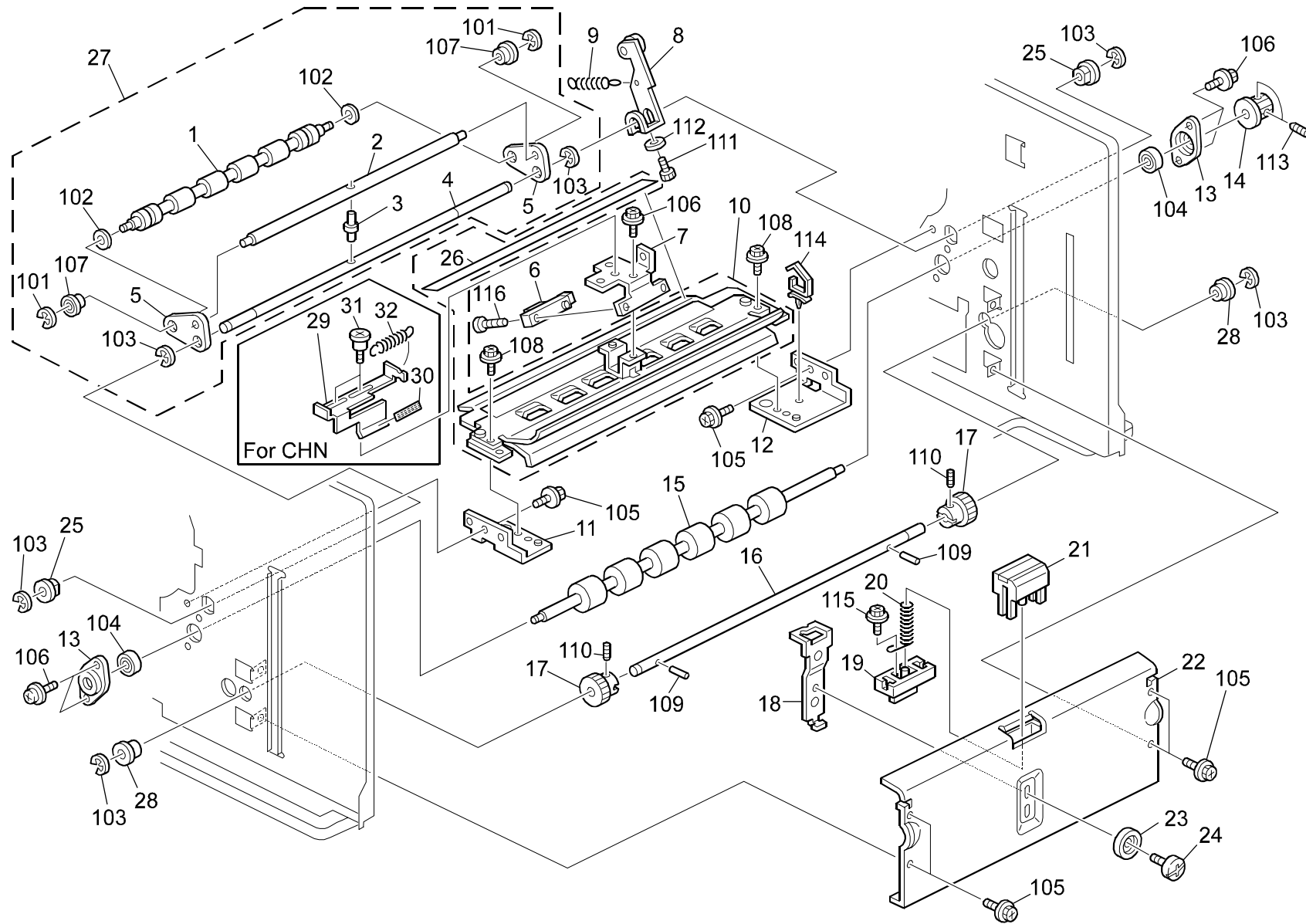


6.Paper Table Section (C249)

Index No.	Part No.	Description	Q'ty Per Assembly
1	C238 2998	Decal - Paper Size	1
2	C238 2779	Paper Tray Spring	2
3	C238 2800	Tray Lift Bracket	2
4	C238 2805	Tray Lift Slider	2
5	C238 2956	Tray Cover	1
6	C238 2790	Front Tray Rack	1
7	C249 2957	Sensor Cover	1
8	C249 2793	Paper Tray Harness Stay	1
9	C249 2949	Paper Tray	1
10	C249 5237	Paper Tray Relay Harness	1
11	C238 2796	Rear Tray Rack	1
12	C238 2806	Tray Position Feeler	1
13	AW02 0075	Photointerruptor	1
14	C238 2825	Sensor Bracket	1
15	C249 2986	Sensor Bracket	1
16	AW01 0076	Photosensor - PS-117D1	1
17	C249 5236	Paper Tray Relay Harness	1
18	C238 2980	Side Fence	2
19	C201 5015	Seal - M10	2
20	C229 2840	Pad	1
21	C249 2700	Paper Tray Ass'y	1
22	AW01 0087	Photo Sensor - Ass'y	1
23	C231 2990	Magnet Catch Holder	1
24	C238 2952	Rear Stay	1
25	C238 2964	Tray Adjuster	1
26	C238 2973	Lock Knob	1
27	C238 2976	Front Side Fence Rack	1
28	C238 2983	Side Fence Spacer	1
29	C238 2987	Side Fence Gear	1
30	C231 2985	Spring	1
31	C209 6168	End Fence Washer	1
32	C238 2970	Lock Shaft	1
33	C238 2951	Front Stay	1
34	C238 2981	Rear Side Fence Rack	1
35	C238 2961	Rear Arm	1

Index No.	Part No.	Description	Q'ty Per Assembly
36	C238 2960	Front Arm	1
37	C238 2955	Traybase	1
38	C231 2976	Washer	2
39	5219 1957	Stepped Screw - M4	2
40	C238 2997	Decal - Scale	1
41	C231 2971	Lock Cam	1
42	C238 2996	Decal - Paper Set	1
43	5606 2310	Roller	2
44	C238 5155	Paper Size Sensor Board	1
45	C231 2965	Core	1
46	C238 2985	Sensor Bracket - Paper End	1
47	C249 2944	Table Sheet	1
101	0701 0040Z	Flat Washer - M4	
102	0594 0080E	Bolt - M4x8	
103	0951 3012B	Philip Screw With Flat Washer - M3x12	
104	0720 0060E	Retaining Ring - M6	
105	0720 0040E	Retaining Ring - M4	
106	1105 0516	Clamp	
107	0451 3006B	Tapping Screw - M3x6	
108	0450 4008B	Tapping Screw - 4x8	
109	0451 4006B	Tapping Screw - 4x6	
110	0450 3006B	Tapping Screw - M3x6	
111	0314 0040B	Philips Pan Head Screw - M4x4	
112	0450 3008B	Tapping Screw - M3x8	

7.Paper Feed Section (C249)

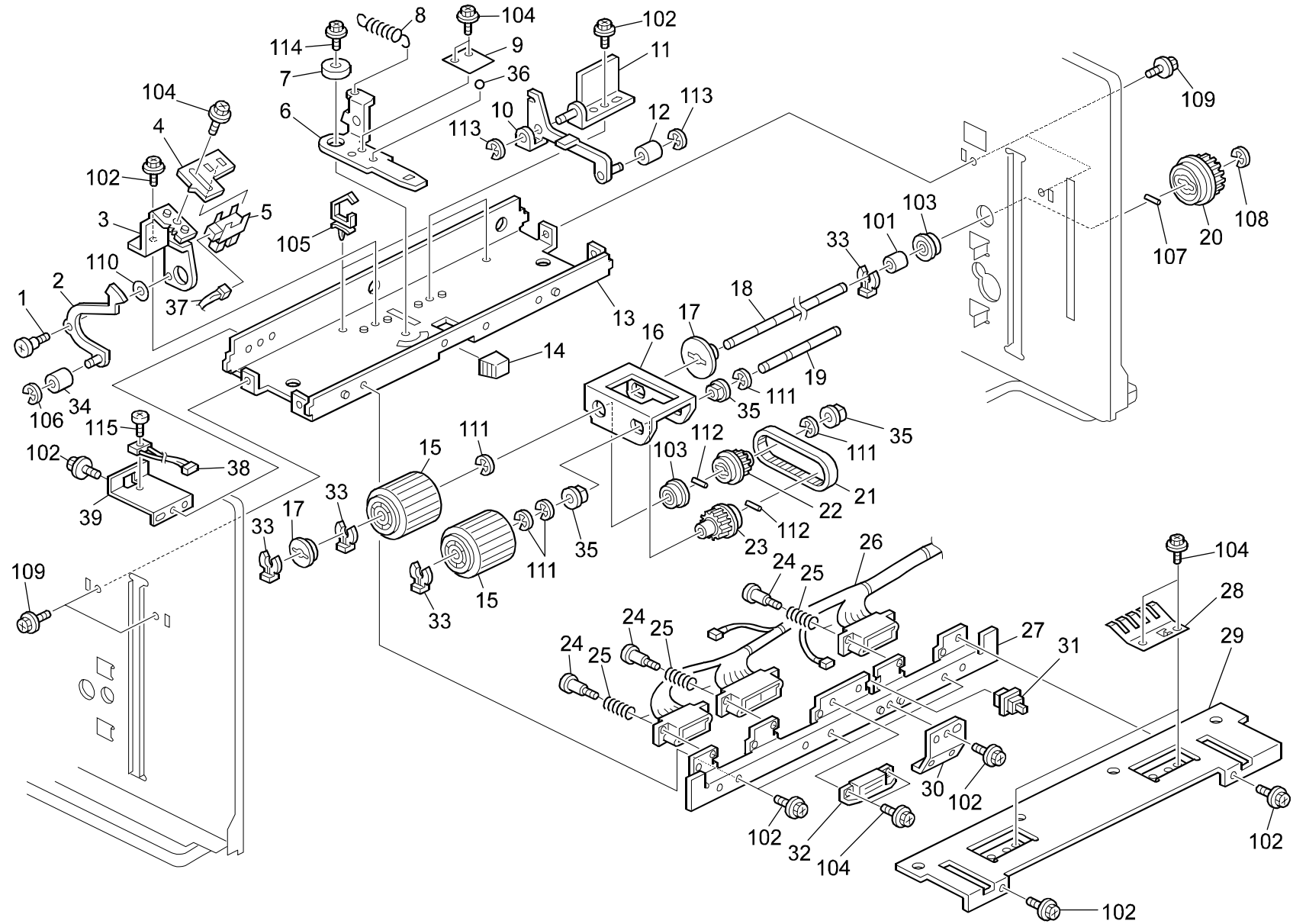


7.Paper Feed Section (C249)

Index No.	Part No.	Description	Q'ty Per Assembly
1	C238 2894	Upper Registration Roller	1
2	C238 2898	Upper Registration Shaft1	1
3	C231 2766	Pressure Pin	1
4	C238 2900	Upper Registration Shaft2	1
5	C238 2893	Upper Registration Arm	2
6	C229 5807	Photosensor - GP2A25	1
7	C238 2921	Registration Sensor Bracket	1
8	C238 2922	Registration Roller Follower	1
9	C249 2901	Registration Pressure Spring	1
10	C238 2909	Guide Plate	1
11	C238 2887	Front Guide Plate Bracket	1
12	C238 2889	Rear Guide Plate Bracket	1
13	C201 4665	Bearing Holder	2
14	C229 2907	Registration Roller Pulley - 14z	1
15	C249 2904	Registration Roller	1
16	C238 2781	Paper Tray Shaft	1
17	C201 5051	Pinion - 24t	2
18	C238 2875	Separation Adjuster	1
19	C238 2877	Separation Spring Holder	1
20	C238 2878	Separation Spring	1
21	C238 2845	Separation Pad	1
22	C238 2871	Paper Separation Stay	1
23	C238 2874	Screw Holder	1
24	C238 2873	Adjusting Screw	1
25	5053 0419	Bushing - 10mm	2
26	C238 2915	Guide Plate Sheet	1
27	C238 2891	Upper Registration Roller Ass'y	1
28	C203 5135	Bushing - 10x14x5.9	2
29	C238 2855	Sensor Cleaning Lever (CHN)	1
30	C238 2856	Sensor Cleaning Brush (CHN)	1
31	C236 2844	Stepped Screw (CHN)	1
32	C238 2853	Sensor Cleaning Spring (CHN)	1

Index No.	Part No.	Description	Q'ty Per Assembly
101	0720 0040E	Retaining Ring - M4	
102	0701 0060Z	Flat Washer - M6	
103	0720 0080E	Retaining Ring - M8	
104	0740 3908	Ball Bearing - 8x19x6	
105	0451 4006B	Tapping Screw - 4x6	
106	0451 3006B	Tapping Screw - M3x6	
107	0741 3706	Ball Bearing - 6x10x3	
108	0451 4008W	Tapping Screw - M4x8	
109	0624 0160E	Spring Pin - 4x16mm	
110	0574 0040E	Hexagon Headless Set Screw - M4x4	
111	0594 0080E	Bolt - M4x8	
112	0701 0040Z	Flat Washer - M4	
113	0574 0050E	Hexagon Headless Set Screw - M4x5	
114	1105 0511	Harness Clamp - LWS-0306ZC	
115	0450 3006B	Tapping Screw - M3x6	
116	0453 3006B	Tapping Screw - M3x6	

8.Paper Registration (C249)

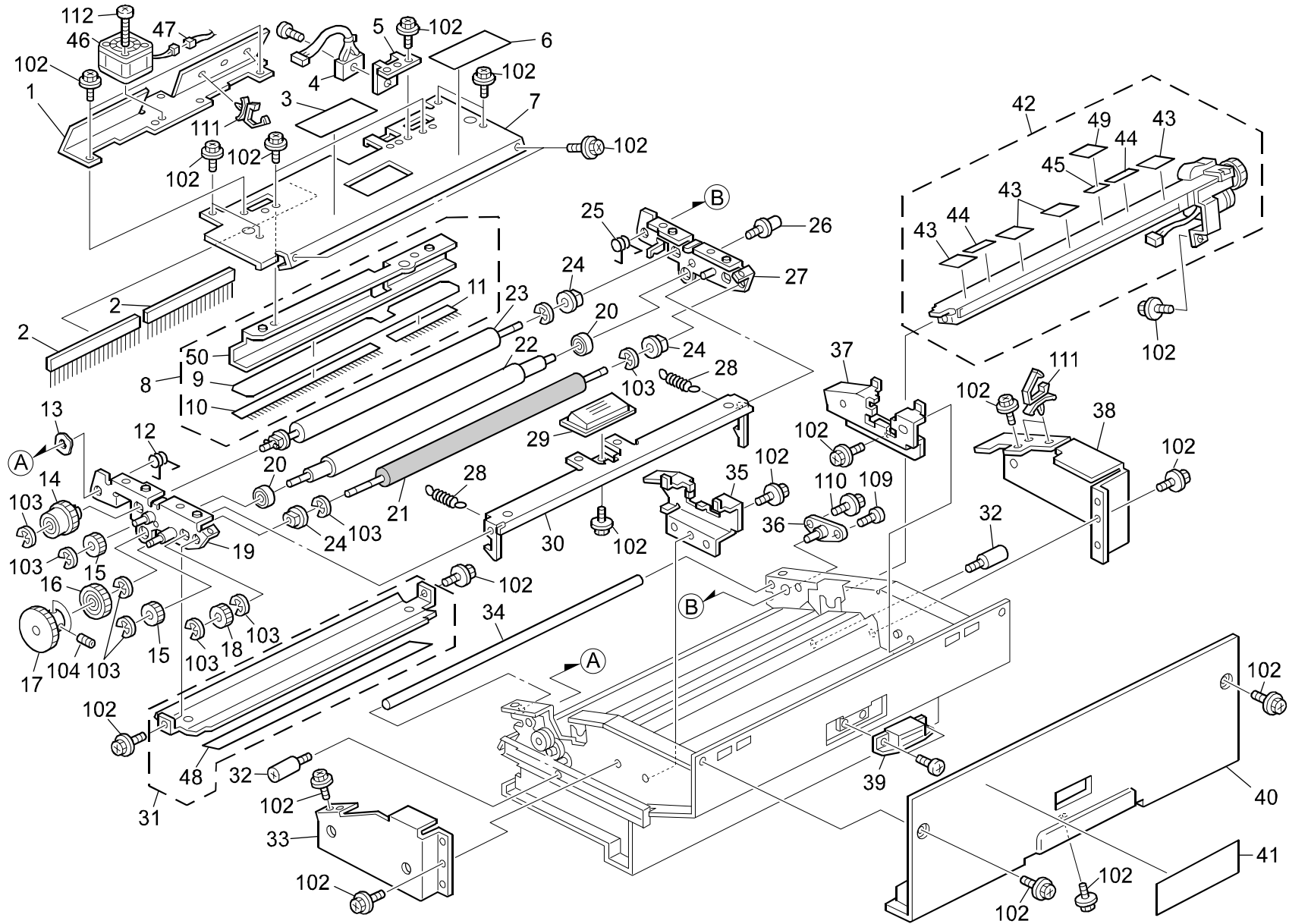


8.Paper Registration (C249)

Index No.	Part No.	Description	Q'ty Per Assembly
1	AA14 3402	Screw - Scale	1
2	C238 2868	Paper Actuator	1
3	C238 2865	Retainer	1
4	C238 2867	Paper Sensor Bracket	1
5	AW02 0075	Photointerruptor	1
6	C238 2928	Paper Pressure Lever	1
7	C209 5220	Spacer - 4x20x6	1
8	C238 2939	Spring	1
9	C238 2929	Spring Plate	1
10	C238 2931	Paper Pressure Arm	1
11	C238 2936	Arm Bracket	1
12	C238 2935	Paper Pressure Roller	1
13	C238 2992	Stay:Paper Feed	1
14	C238 2932	Lever Knob	1
15	C238 2835	Paper Feed Roller	2
16	C238 2832	Feed Arm	1
17	C238 2842	Spacer	2
18	C238 2839	Feed Drive Shaft	1
19	C229 2838	Pick-up Roller Shaft	1
20	C229 2947	Drive Pulley - Paper Separation	1
21	C229 2949	Timing Belt - 75-MXL-64	1
22	C238 2946	Paper Feed Drive Gear	1
23	C238 2947	Pick-up Pully	1
24	AA14 3120	Stepped Screw - M3x3	6
25	AA06 3163	Connector Spring	6
26	C249 5210	Plotter Relay Harness	1
27	C249 2993	Harness Bracket	1
28	A267 1089	Grounding Plate - Upper Rear	2
29	C238 2999	Harness Cover	1
30	C238 2851	Arm Stopper	1
31	AW50 0012	Push Switch	1
32	5054 0536	Magnet Catch Ass'y	1
33	C209 3133	Retaining Ring - M6	4
34	C238 2864	Paper Sensor Roller	1
35	5053 0223	Bushing - 8mm	2

Index No.	Part No.	Description	Q'ty Per Assembly
36	5501 8195	Steel Ball 3/16,	1
37	C238 5212	Paper Sensor Harness	1
38	C249 5825	Optics Sensor	1
39	C249 2958	Sensor Bracket	1
101	0707 8100B	Bushing - M8x10	
102	0451 4006B	Tapping Screw - 4x6	
103	0805 3368	Ball Bearing - 8x16x5mm	
104	0451 3006B	Tapping Screw - M3x6	
105	1105 0489	Harness Clamp - LWS 1316	
106	0720 0030E	Retaining Ring - M3	
107	0633 0140G	Parallel Pin - 3x14	
108	0720 0060E	Retaining Ring - M6	
109	0451 4008W	Tapping Screw - M4x8	
110	0701 0030Z	Flat Washer - M3	
111	0720 0050Z	Retaining Ring - M5	
112	0633 0140G	Parallel Pin - 3x14	
113	0720 0040E	Retaining Ring - M4	
114	0451 4012B	Tapping Screw - 4x12	
115	0242 0080B	Philips Pan Head Screw - M2 X 8	

9. Plotter Unit 1 (C249)

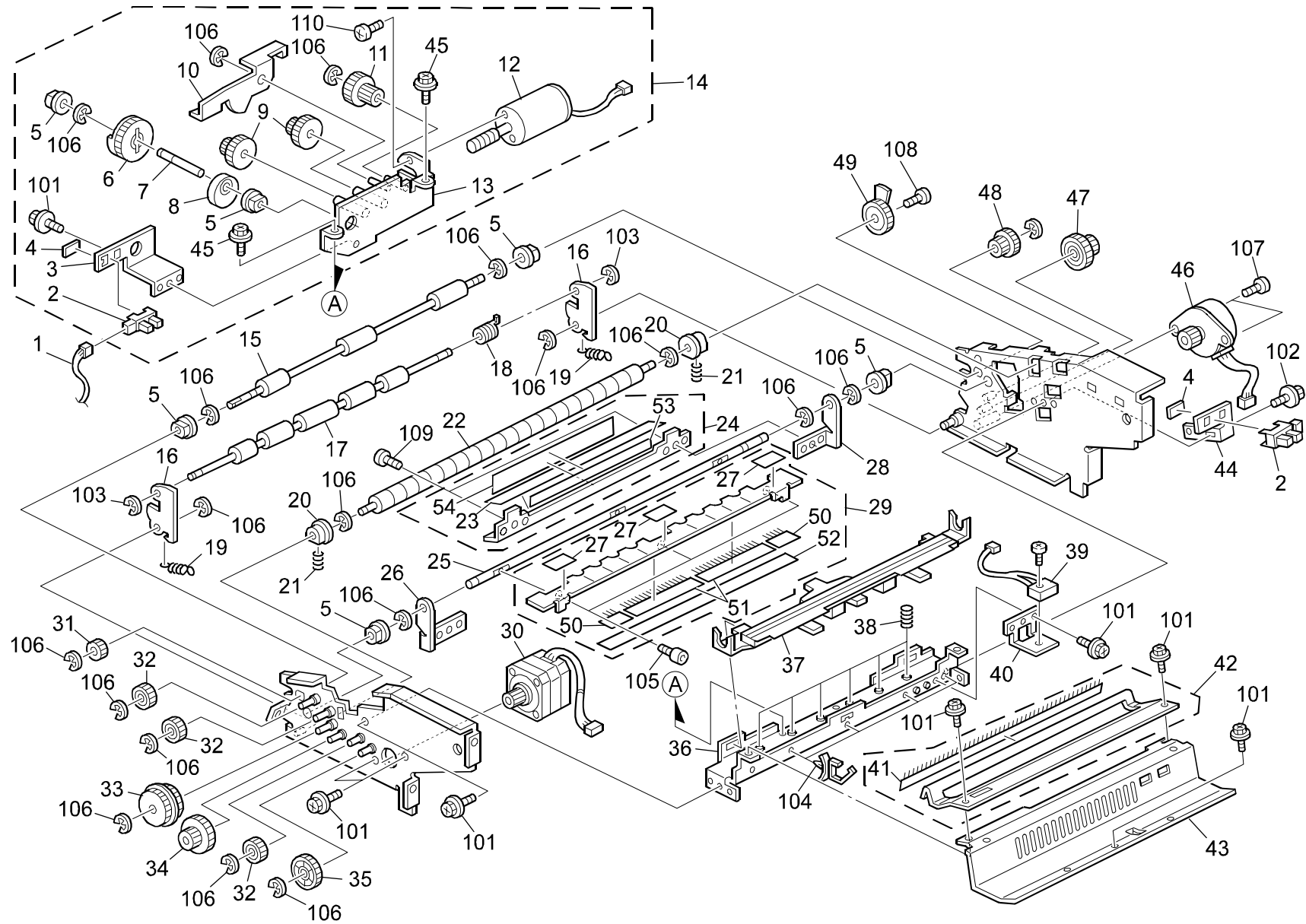


9.Plotter Unit 1 (C249)

Index No.	Part No.	Description	Q'ty Per Assembly
*	C249 1900	Plotter Unit - A3	1
1	C249 1956	Upper Guide	1
2	C249 2049	Antistatic Brush - 138mm	2
3	C249 1971	Decal - Left Hand	1
4	C249 5825	Optics Sensor	1
5	C249 2277	Sensor Bracket	1
6	C249 1972	Decal - Right Hand	1
7	C249 2045	Plotter Cover	1
8	C249 2046	Guide Plate Ass'y	1
9	C249 2048	Guide Sheet	1
10	C249 2285	Antistatic Brush - 230mm	1
11	C249 2286	Antistatic Brush - 82mm	1
12	C249 1961	Rear Spring	1
13	C217 5102	Spring Washer	1
14	C249 2114	Tension Gear - Torque Limiter	1
15	C249 2147	Idle Gear	2
16	C249 2145	Platen Clutch Gear	1
17	C249 2146	Platen Gear	1
18	C249 2291	Master Set Gear	1
19	C249 2040	Front Plate	1
20	C238 2106	Ball Bearing - 6x13x5mm	2
21	C249 2290	Master Set Roller	1
22	C249 2104	Platen Roller - A3	1
23	C249 2110	Tension Roller - A3	1
24	H012 1181	Bushing- 6mm	3
25	C249 1962	Front Spring	1
26	C249 2042	Roller Lock	1
27	C249 2030	Rear Plate	1
28	C238 2039	Lever Spring	2
29	C238 2037	Lever Knob	1
30	C249 2036	Release Lever	1
31	C249 2107	Lower Cover Ass'y	1
32	C229 1994	Middle Rail Stopper Ass'y	2
33	C249 2178	Plotter Fornt Cover	1
34	C238 1955	Joint Shaft	1

Index No.	Part No.	Description	Q'ty Per Assembly
35	C238 2221	Front Master Holder - A3	1
36	C249 1950	Joint Pin	1
37	C238 2211	Rear Master Holder - A3	1
38	C249 2177	Plotter Rear Cover	1
39	5054 0536	Magnet Catch Ass'y	1
40	C238 2132	Plotter Cover	1
41	C249 2136	Decal - Master Jam	1
42	C249 2270	Cutter Unit Ass'y	1
43	C249 2292	Sheet - Cutter Unit	4
44	C249 2098	Decal - Master Set Position	2
45	C249 2215	Sensor Sheet	1
46	C249 5830	Vacuum Fan Motor - 24V	1
47	C249 5244	Relay Harness	1
48	C249 2053	Transport Sheet	1
49	C249 2217	Plate Guide	1
50	C249 2047	Guide Plate	1
101	0313 0040B	Philips Truss Head Screw - M3x4	
102	0451 3006B	Tapping Screw - M3x6	
103	0720 0040E	Retaining Ring - M4	
104	0574 0040E	Hexagon Headless Set Screw - M4x4	
105	0450 3006B	Tapping Screw - M3x6	
106	0314 0060B	Philips Truss Head Screw - M4x6	
107	0451 4008H	Tapping Screw - 4x8	
108	0451 3006H	Tapping Screw - 3X6	
109	0353 0050B	Philips Truss Head Screw - M3x5	
110	0451 3008W	Tapping Screw M3x8	
111	1105 0516	Clamp	
112	0353 0350B	Philips Pan Head Screw - M3x35	

10. Plotter Unit 2 (C249)

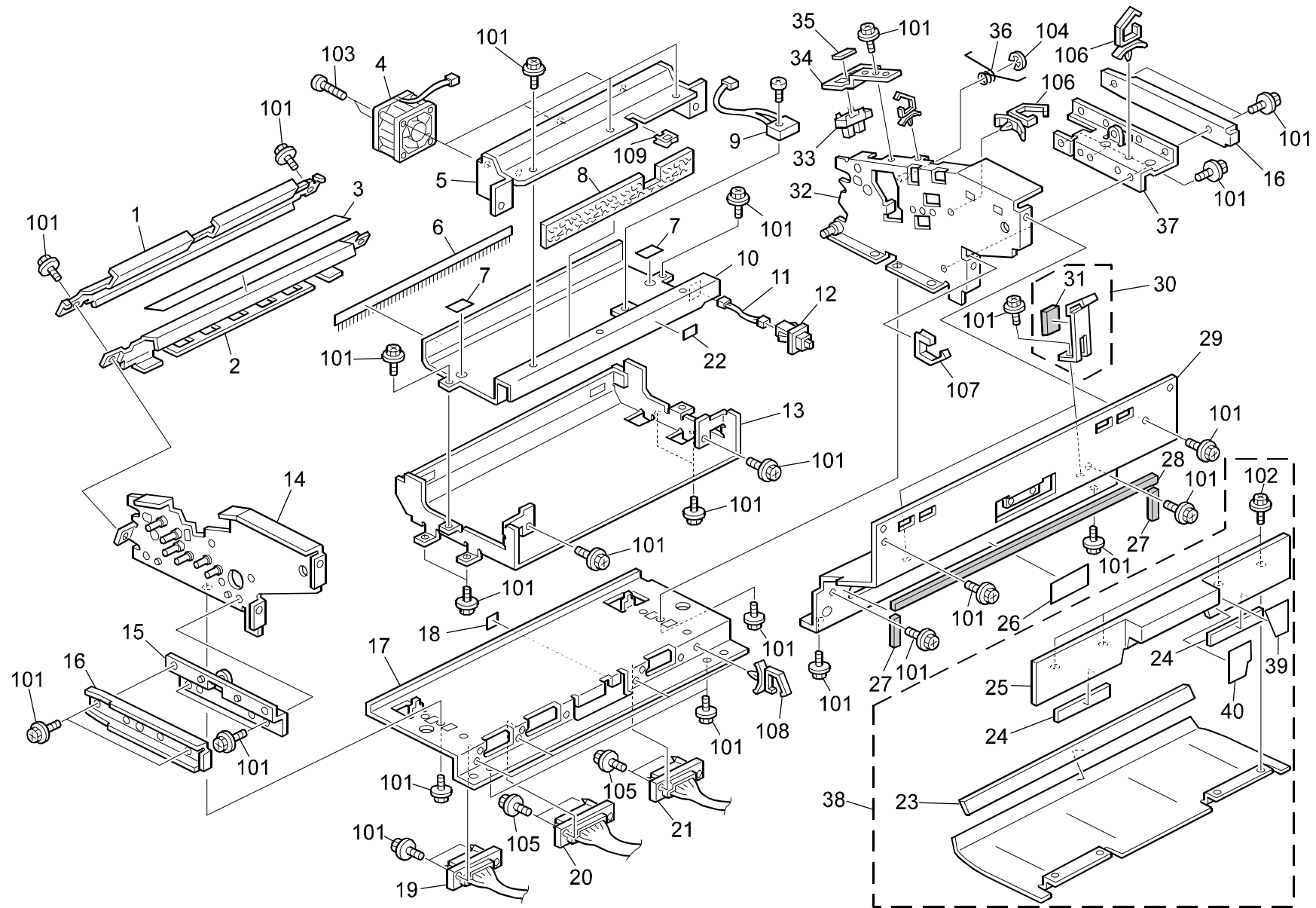


10. Plotter Unit 2 (C249)

Index No.	Part No.	Description	Q'ty Per Assembly
1	C249 5248	Plotter Input Harness	1
2	AW02 0075	Photointerruptor	2
3	C249 2129	Sensor Bracket	1
4	C238 4071	Sensor Guide	2
5	H012 1181	Bushing- 6mm	6
6	C249 2133	T/H Release Feeler	1
7	C249 2131	T/H Release Shaft	1
8	C249 2135	T/H Release Cam	1
9	C236 2565	Ink Middle Gear	2
10	C249 2122	T/H Release Arm	1
11	C249 2132	Idle Gear	1
12	C229 5820	DC Motor - 20W	1
13	C249 2123	T/H Release Plate	1
14	C249 2121	T/H Release Ass'y	1
15	C249 2181	Upper Brake Roller	1
16	C249 2063	Brake Roller Lever	2
17	C249 2076	Brake Roller	1
18	C238 2078	Brake Roller Shoe	1
19	C238 2065	Brake Roller Spring	2
20	C229 2006	Bushing	2
21	C229 2163	Spring	2
22	C249 2117	Lower Tension Roller	1
23	C249 2283	Blade Sheet	1
24	C249 2284	Blade Ass'y	1
25	C249 2251	Duct Guide Shaft	1
26	C249 2288	Front Guide Arm	1
27	C249 2252	Duct Guide Sheet	3
28	C249 2289	Rear Guide Arm	1
29	C249 2221	Duct Guide Plate Ass'y	1
30	C238 5841	Stepper Motor - DC 4.4W	1
31	C249 2148	Upper Brake Gear	1
32	C249 2149	Idle Gear	3
33	C231 2135	Platen Gear - 2	1
34	C238 2133	Platen Gear - 1	1
35	C249 2150	First Idle Gear	1

Index No.	Part No.	Description	Q'ty Per Assembly
36	C249 2026	Thermal Head Base	1
37	C249 2151	Thermal Head - A3	1
38	C249 2157	Spring:Thermal Head	6
39	C249 5825	Optics Sensor	1
40	C249 2277	Sensor Bracket	1
41	C249 2281	Antistatic Brush - 320mm	1
42	C249 2094	Thermal Head Guide	1
43	C249 2095	Master Guide Plate	1
44	C238 2273	Cover Sensor Bracket	1
45	C249 2137	Screw - M3x6	2
46	H521 5010	Scanner Motor - ADF - DC 32W	1
47	C249 2255	Idle Gear 1	1
48	C249 2257	Idle Gear 2	1
49	C249 2224	Guide Plate Gear	1
50	C249 2299	Antistatic Brush - 15mm	2
51	C249 2298	Antistatic Brush - 103mm	2
52	C249 2200	Blade Magnet	1
53	C249 2247	Tray Magnetic	1
54	C249 2297	Blade Sheet	1
101	0451 3006B	Tapping Screw - M3x6	
102	0451 3008W	Tapping Screw M3x8	
103	0720 0030E	Retaining Ring - M3	
104	1105 0508	Harness Clamp - LWS-0711	
105	0804 6107	Hexagon Bolt - M2x4	
106	0720 0040E	Retaining Ring - M4	
107	0453 3006B	Tapping Screw - M3x6	
108	0312 5050Z	Philips Pan Head Screw - M2.5x5	
109	0353 0030B	Philips Truss Head Screw - M3x3	
110	0353 0040B	Screw - M3X4	

11. Plotter Unit 3 (C249)

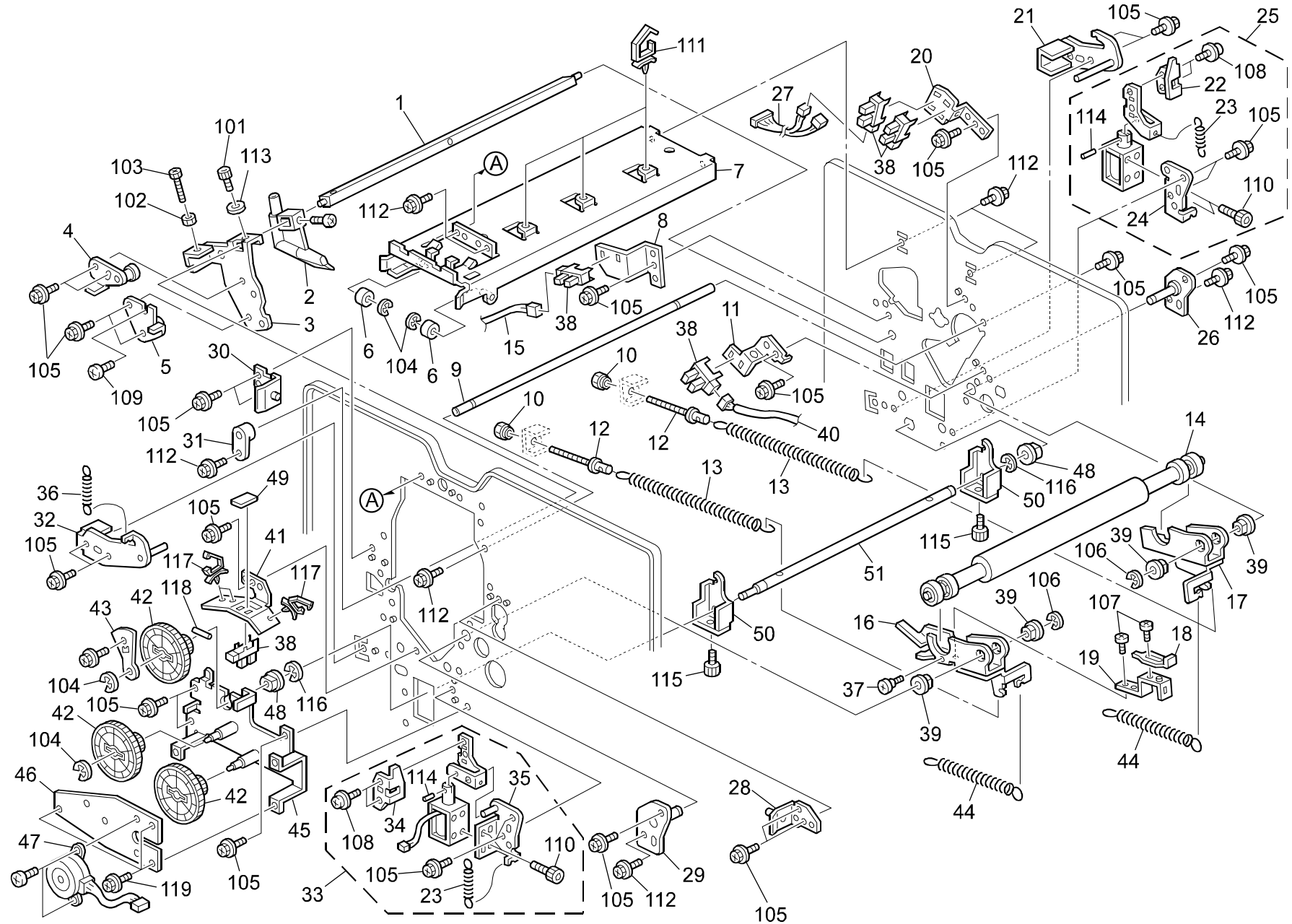


11.Plotter Unit 3 (C249)

Index No.	Part No.	Description	Q'ty Per Assembly
1	C249 2085	Upper Brake Guide	1
2	C249 2082	Lower Brake Guide	1
3	C249 2084	Lower Brake Guide Sheet	1
4	C249 5830	Vacuum Fan Motor - 24V	2
5	C249 2239	Fan Plate	1
6	C249 2281	Antistatic Brush - 320mm	1
7	C249 2212	Small Master Guide	2
8	C249 2243	Duct Filter	1
9	C249 5825	Optics Sensor	1
10	C249 2238	Upper Duct	1
11	C249 5249	Relay Harness - Switch	1
12	AW50 0012	Push Switch	1
13	C249 2235	Lower Duct	1
14	C249 2020	Plotter Front Plate	1
15	C249 2170	Front Rail Bracket	1
16	C249 2163	Plotter Slide Rail	2
17	C249 2024	Plotter Base	1
18	C249 2022	Cushion Sheet	1
19	C249 5246	Plotter Drive Harness	1
20	C249 5248	Plotter Input Harness	1
21	C249 5247	Thermal Head Data Harness	1
22	C249 2249	Duct Sheet	1
23	C249 2246	Tray Sheet	1
24	C249 2247	Tray Magnetic	2
25	C249 2244	Lower Tray Grip	1
26	C249 2942	Decal - Paper Pressure - NA/EU/AA	1
26	C249 2940	Decal - Paper Pressure- CHN	1
27	C249 2028	Short Seal	2
28	C249 2027	Long Seal	1
29	C249 2025	Plotter Base 2	1
30	C249 2230	Brake Shoe	1
31	C231 2234	Brake Pad	1
32	C249 2010	Plotter Rear Plate	1
33	AW02 0075	Photointerruptor	1
34	C249 2256	Sensor Bracket	1

Index No.	Part No.	Description	Q'ty Per Assembly
35	C238 4071	Sensor Guide	1
36	C249 2043	Spring	1
37	C249 2160	Rear Rail Bracket	1
38	C249 2188	Lower Master Tray	1
39	C249 2225	Right Blind Sheet	1
40	C249 2226	Left Blind Sheet	1
101	0451 3006B	Tapping Screw - M3x6	
102	0451 3008W	Tapping Screw M3x8	
103	0353 0350B	Philips Pan Head Screw - M3x35	
104	0720 0040E	Retaining Ring - M4	
105	0451 3008B	Tapping Screw - M3x8	
106	1105 0508	Harness Clamp - LWS-0711	
107	1105 0518	Edge Saddle - Les-1010	
108	1105 0488	Harness Clamp	
109	1105 0328	Harness Clamp - ES-0505	

12.Press Roller Section (C249)



12.Press Roller Section (C249)

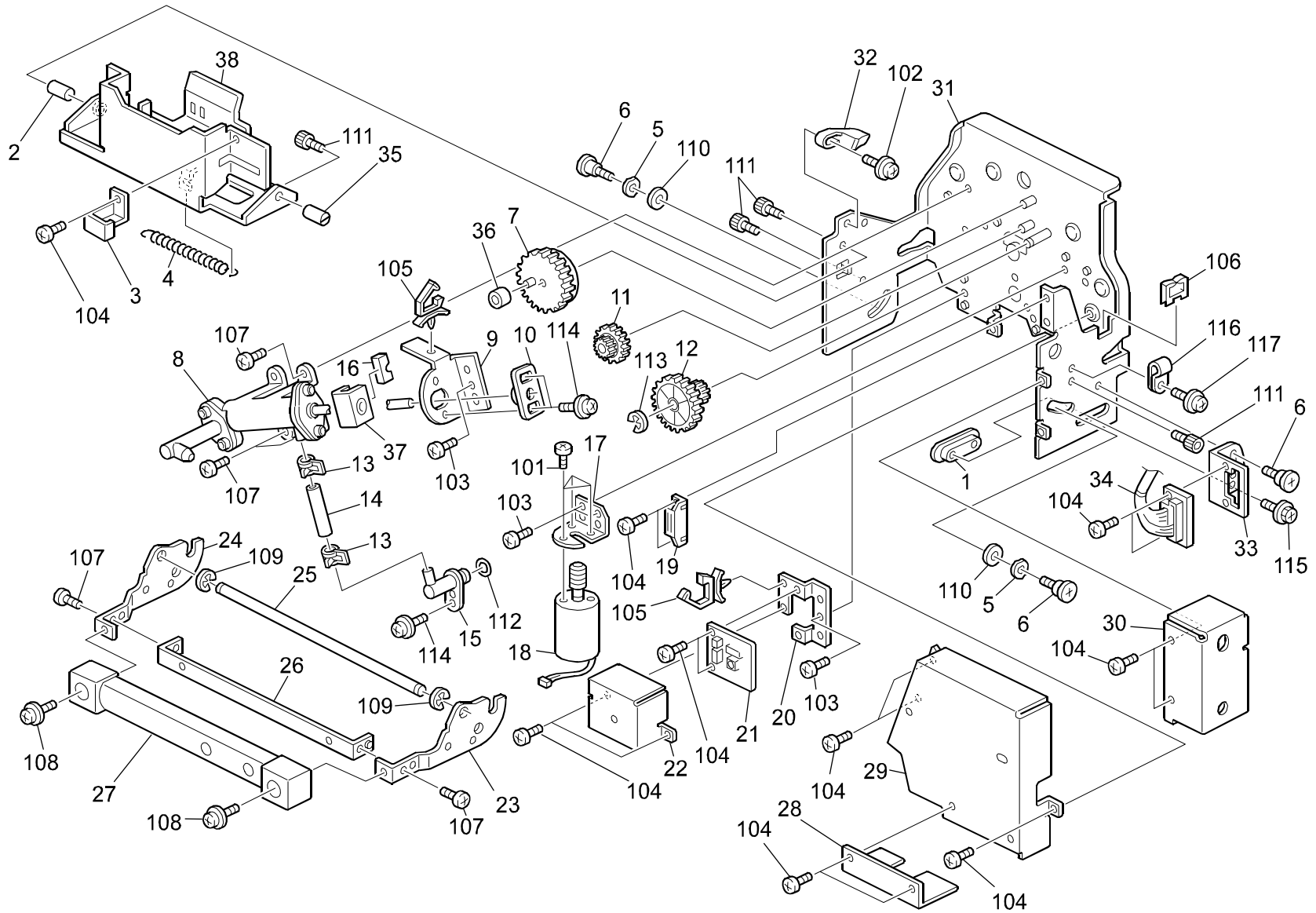
Index No.	Part No.	Description	Q'ty Per Assembly
1	C238 4482	Exit Pawl Shaft	1
2	C238 4365	Exit Pawl	1
3	C238 4481	Exit Pawl Drive Arm1	1
4	C238 4493	Exit Pawl Drive Arm 2	1
5	C238 4485	Exit Pawl Drive Arm 3	1
6	C229 2615	Slide Rail Roller	2
7	C238 2601	Drum Stay	1
8	C238 5613	Drum Sensor Bracket3	1
9	C238 1995	Plotter Stay - Shaft	1
10	C238 3127	Pressure Spring Nut	2
11	C238 5609	Drum Sensor Bracket2	1
12	C238 3126	Pressure Spring Screw	2
13	C249 3145	Pressure Spring	2
14	C249 3050	Pressure Roller	1
15	C249 5200	DC Harness	1
16	C249 3110	Front Pressure Arm	1
17	C249 3113	Rear Pressure Arm	1
18	C238 3117	Pressure Roller Stopper	1
19	C238 3116	Stopper Bracket	1
20	C238 5611	Drum Sensor Bracket1	1
21	C238 3123	Rear Spring Anchor	1
22	C238 3154	Rear Release Plate	1
23	C238 3137	Solenoid Spring	2
24	C238 3135	Rear Solenoid Bracket	1
25	C238 3134	Rear Solenoid Ass'y	1
26	C238 3103	Rear Pressure Shaft	1
27	C238 5229	Drum Sensor Harness	1
28	C238 2607	Drum Position Pin - Right	1
29	C238 3100	Front Pressure Shaft	1
30	C238 2605	Drum Position Pin - Left	1
31	C238 4479	Bushing	1
32	C238 3120	Front Spring Anchor	1
33	C238 3130	Front Solenoid Ass'y	1
34	C238 3155	Front Release Plate	1
35	C238 3131	Front Solenoid Bracket	1

Index No.	Part No.	Description	Q'ty Per Assembly
36	C238 4349	Spring	1
37	5506 6111	Stepped Screw - M4	1
38	AW02 0075	Photointerruptor	5
39	5053 0419	Bushing - 10mm	4
40	C249 5210	Plotter Relay Harness	1
41	C249 3158	Sensor Bracket	1
42	C249 3150	Pressure Change Gear	3
43	C249 3159	Sensor Feeler	1
44	C249 3157	Pressure Change Spring	2
45	C249 3151	Pressure Change Bracket	1
46	C249 3160	Motor Bracket	1
47	H521 5010	Scanner Motor - ADF - DC 32W	1
48	5053 0223	Bushing - 8mm	2
49	H522 1100	Sensor Guide	1
50	C249 3156	Pressure Change Arm	1
51	C249 3155	Pressure Change Shaft	1

Index No.	Part No.	Description	Q'ty Per Assembly
101	0593 0080E	Bolt - M3x8	
102	0710 0040Z	Hex Nut 4	
103	0584 0121Z	Hexagon Bolt - M4x12	
104	0720 0040E	Retaining Ring - M4	
105	0451 4006B	Tapping Screw - 4x6	
106	0720 0080E	Retaining Ring - M8	
107	0353 0060B	Philips Pan Head Screw - M3x6	
108	0951 3006W	Philips Screw With Flat Washer - M3x6	
109	0314 0040B	Philips Pan Head Screw - M4x4	
110	0593 0040B	Hexagonal Set Screw - M3x4	
111	1105 0488	Harness Clamp	
112	0451 4008W	Tapping Screw - M4x8	
113	0701 0030Z	Flat Washer - M3	
114	0623 0080E	Spring Pin - 3x8mm	
115	0593 0060B	Hexagonal Bolt - M3x6	
116	0720 0060E	Retaining Ring - M6	
117	1105 0511	Harness Clamp - LWS-0306ZC	
118	0633 0100G	Parallel Pin - 3x10	
119	0451 3006B	Tapping Screw - M3x6	

Index No.	Part No.	Description	Q'ty Per Assembly

13.Drum Unit 1 (C249)

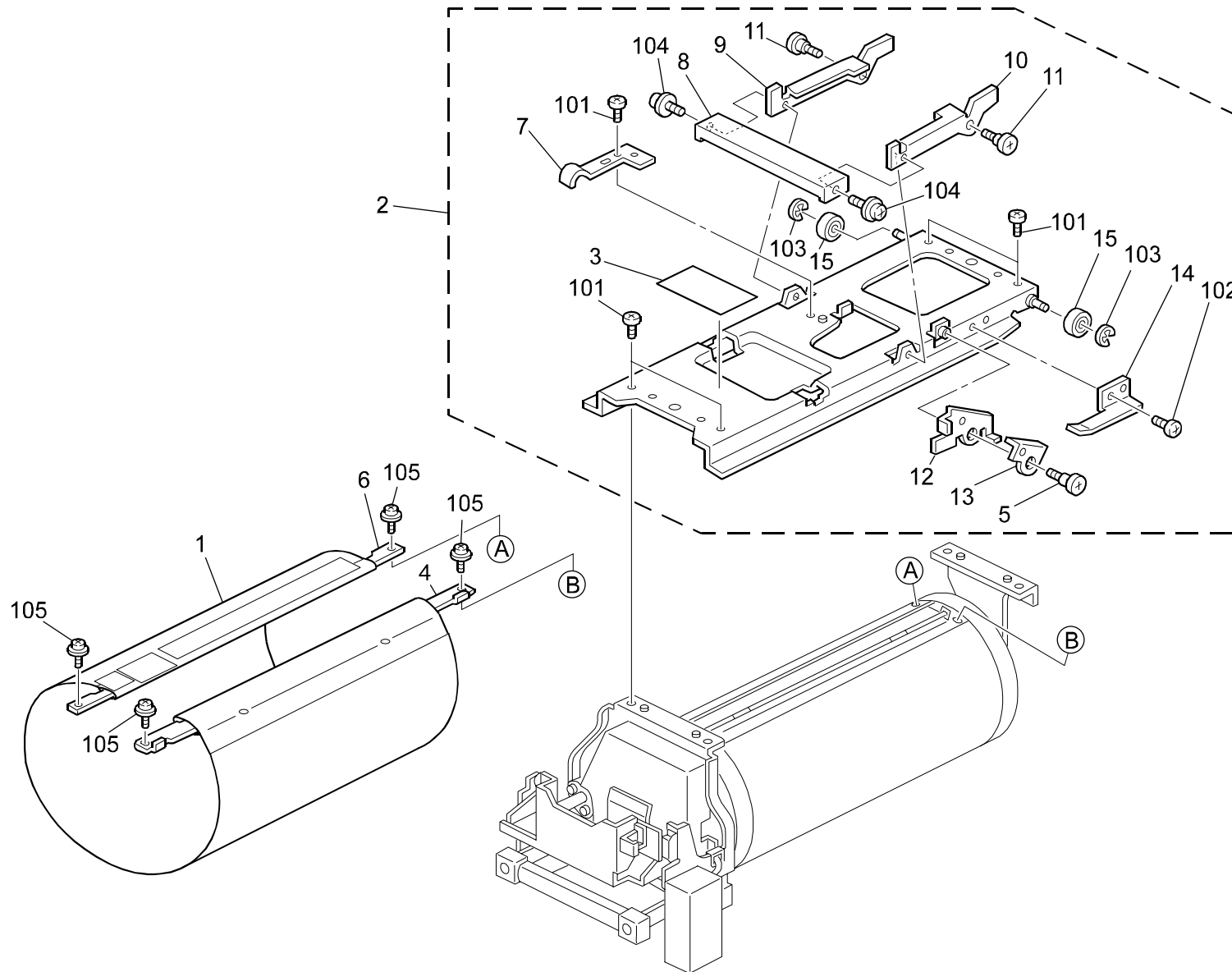


13.Drum Unit 1 (C249)

Index No.	Part No.	Description	Q'ty Per Assembly
1	C238 2574	Slider	1
2	C238 2556	Left Shaft - Holder	1
3	C238 2559	Ink Holder Grip	1
4	C238 2546	Ink Holder Spring	1
5	C217 5102	Spring Washer	2
6	C238 2573	Stepped Screw	3
7	C238 2534	Pump Drive Gear	1
8	C238 2628	Ink Pump - 1000	1
9	C238 2621	Pump Slider Bracket - DOM	1
10	C200 4814	Bushing - 6x10x55mm	1
11	C238 2535	Pump Drive Relay Gear	1
12	C238 2536	Pump Motor Gear	1
13	C209 4713	Hose Band	2
14	C238 2633	Ink Tube - 1000	1
15	C238 2643	Tube Joint	1
16	C238 2438	Retainer:Bushing:Auxiliary	1
17	C238 2532	Pump Motor Bracket	1
18	C238 5803	DC Motor - 7.2W MM34	1
19	5054 0536	Magnet Catch Ass'y	1
20	C238 2549	Board Bracket	1
21	C238 5145	Ink Board	1
22	C238 2547	Board Cover	1
23	C238 2510	Right Arm	1
24	C238 2511	Left Arm	1
25	C238 2513	Arm Shaft	1
26	C238 2514	Grip Bracket	1
27	C238 2512	Lower Drum Grip	1
28	C238 2562	Motor Cover	1
29	C238 2648	Pump Cover - 1000	1
30	C238 2541	Harness Cover	1
31	C238 2619	Front Drum Side Plate - DOM	1
32	C238 2526	Ink Holder Cam	1
33	C249 2538	Connector Bracket	1
34	C249 5250	Drum Harness	1
35	C238 2557	Right Shaft - Holder	1

Index No.	Part No.	Description	Q'ty Per Assembly
36	C229 2525	Bushing - Pump Drive Gear	1
37	C238 2427	Slider:Drive:Pump	1
38	C249 2655	Ink Holder - 600ml EXP (NA/EU/AA)	1
38	C249 2658	Ink Holder - 600ml CHN/STD	1
38	C608 2561	Ink Holder - Color	1
39	C249 5253	Motor Relay Harness	1
40	C249 5254	Sensor Relay Harness	1
101	0353 0040B	Screw - M3X4	
102	0951 4010Z	Philips Screw With Flat Washer - M4	
103	0314 0040B	Philips Pan Head Screw - M4x4	
104	0353 0050B	Philips Truss Head Screw - M3x5	
105	1105 0516	Clamp	
106	1105 0518	Edge Saddle - LES-1010	
107	0354 0060B	Screw - M4X6	
108	0801 0103	Screw - M4X8	
109	0720 0060E	Retaining Ring - M6	
110	0807 4043	Spacer	
111	0594 0080B	Hexagon Hole Bolt - M4x8	
112	0808 0021	Rubber Ring	
113	0720 0050E	Retaining Ring - M5	
114	0951 4006Z	Philips Screw With Flat Washer - M4	
115	0450 4006B	Tapping Screw - 4x6	
116	1105 0016	Nylon Clamp - 4n	
117	0951 3006Z	Philips Screw With Flat Washer - M3	

14.Drum Unit 2 (C249)

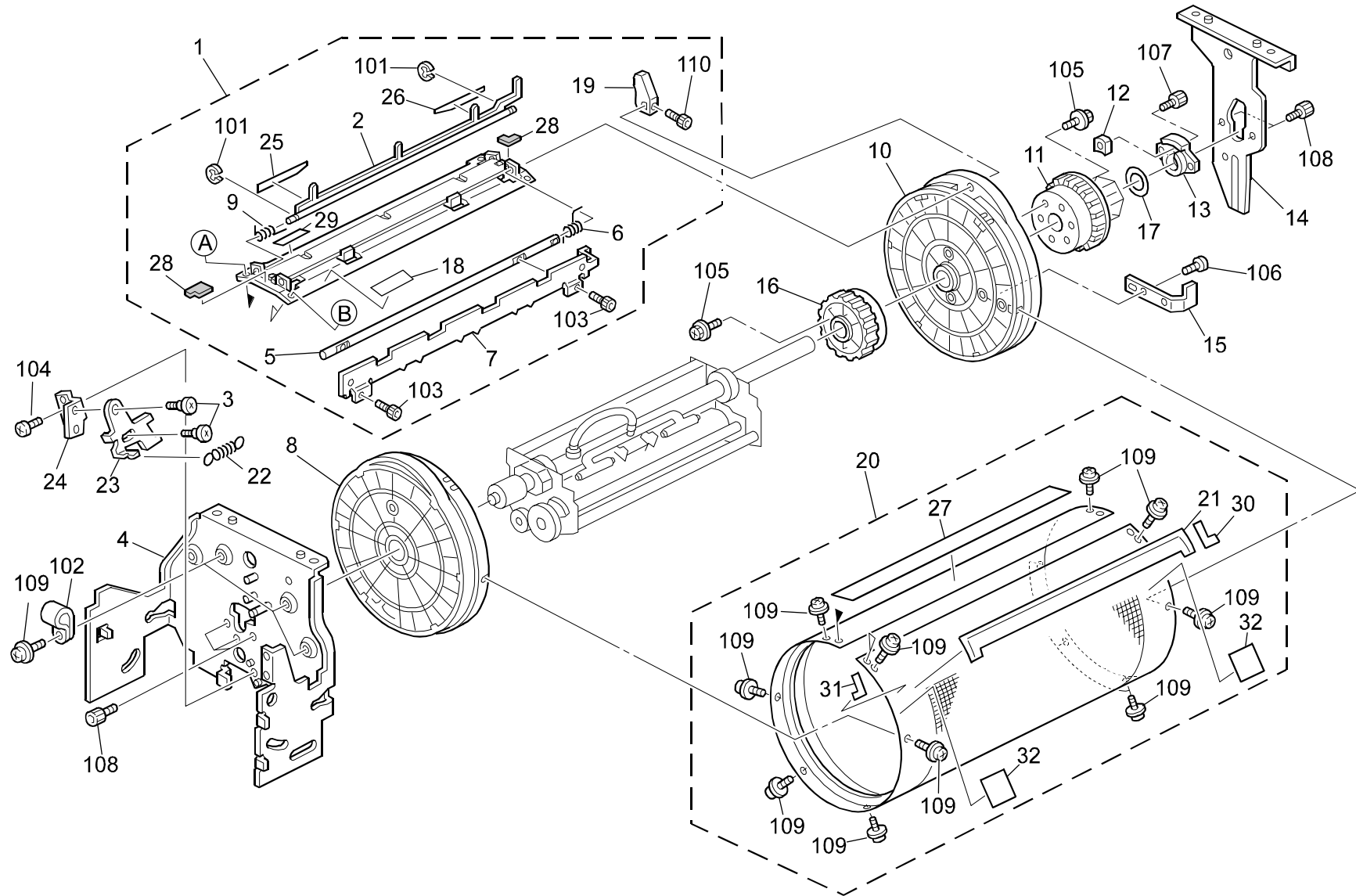


14.Drum Unit 2 (C249)

Index No.	Part No.	Description	Q'ty Per Assembly
1	C249 2381	A3 Cloth Screen	1
1	C620 2381	Cloth Screen - A4	1
2	C238 2507	Drum Frame Ass'y	1
3	C238 2553	Decal - Drum	1
4	C238 2389	Screen Holder 2	1
5	C229 2390	Stepped Screw	1
6	C238 2388	Screen Holder 1	1
7	C229 2394	Spring Plate	1
8	C238 2552	Drum Grip	1
9	C238 2524	Left Drum Grip	1
10	C238 2525	Right Drum Grip	1
11	C238 2585	Screw Mm6x1.7	2
12	C229 2391	Stopper Bracket	1
13	C229 2392	Stopper Guide	1
14	C229 2396	Spring Plate	1
15	C201 4604	Drum Rail Roller	2

Index No.	Part No.	Description	Q'ty Per Assembly
101	0354 0060B	Screw - M4X6	
102	0353 0050B	Philips Truss Head Screw - M3x5	
103	0720 0040E	Retaining Ring - M4	
104	0801 0103	Screw - M4X8	
105	0951 3008Z	Philips Screw With Flat Washer - M3	

15. Drum Unit 3 (C249)

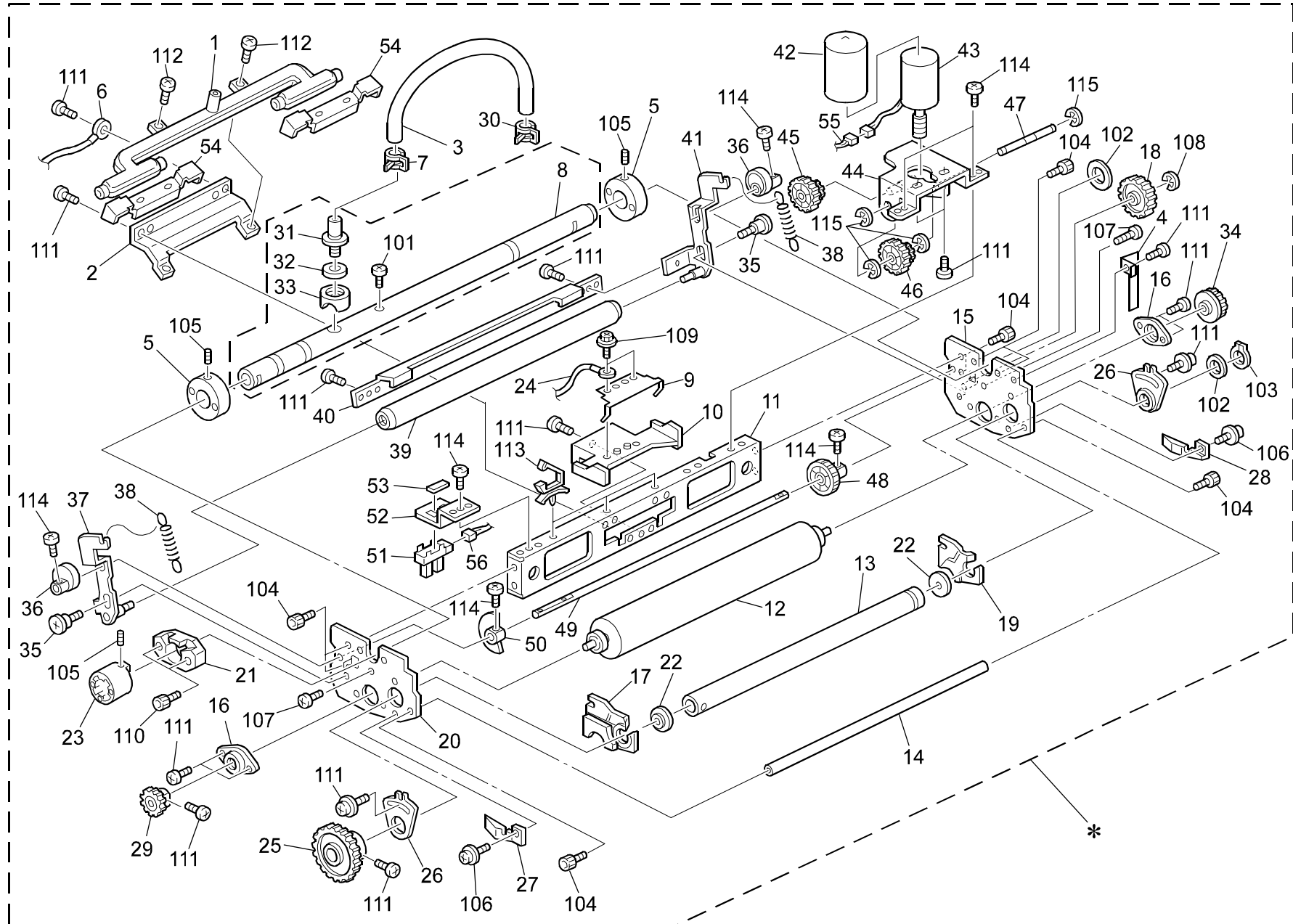


15.Drum Unit 3 (C249)

Index No.	Part No.	Description	Q'ty Per Assembly
1	C249 2305	Clamper Ass'y	1
2	C249 2407	Clamper Exit Pawls	1
3	C238 2585	Screw Mm6x1.7	2
4	C238 2619	Front Drum Side Plate - DOM	1
5	C238 2406	Clamper Shaft	1
6	C238 2410	Clamper Rear Spring	1
7	C249 2670	Clamper Holder	1
8	C249 2360	Front Drum Flange - A3	1
9	C238 2411	Clamper Front Spring	1
10	C249 2362	Rear Drum Flange - A3	1
11	C238 2368	Drum Drive Gear	1
12	C238 2396	Stopper	1
13	C238 2395	Holder	1
14	C238 2555	Rear Drum Side Plate	1
15	C238 2375	Drum Position Plate - Large	1
16	C238 2369	Ink Roller Drive Gear	1
17	C238 2371	Spacer	1
18	C238 2413	Sheet:Sensor:Trailing Edge:Screen	1
19	C238 2412	Clamper Cam	1
20	C249 2580	Metal Screen - A3	1
20	C620 2580	Metal Screen - A4	1
21	C249 2582	Metal Screen Sheet	1
21	C620 2582	Metal Screen Sheet - A4	1
22	C238 2572	Stopper Spring	1
23	C249 2571	Drum Stopper	1
24	C238 2570	Stopper Bracket	1
25	C249 2675	Front Sheet	1
26	C249 2676	Rear Sheet	1
27	C249 2583	Long Sheet	1
28	C249 2416	Small Magnet	2
29	C249 2678	Master Sensor Sheet	1
30	C249 2585	Rear L Seal	1
31	C249 2584	Front L Seal	1
32	C620 2586	Drum Metal Screen Sheld - A4	2

Index No.	Part No.	Description	Q'ty Per Assembly
101	0720 0020E	Retaining Ring - M2	
102	1105 0016	Nylon Clamp - 4n	
103	0804 6107	Hexagon Bolt - M2x4	
104	0314 0040B	Philips Pan Head Screw - M4x4	
105	0450 3008B	Tapping Screw - M3x8	
106	0452 3006B	Tapping Screw - M3x6	
107	0593 0100Z	Bolt M3x10	
108	0594 0080Z	Bolt - M4x8	
109	0951 3006Z	Philips Screw With Flat Washer - M3	
110	0804 6091	Hexagonal Set Screw - M2x5	

16.Drum Unit 4 (C249)



16.Drum Unit 4 (C249)

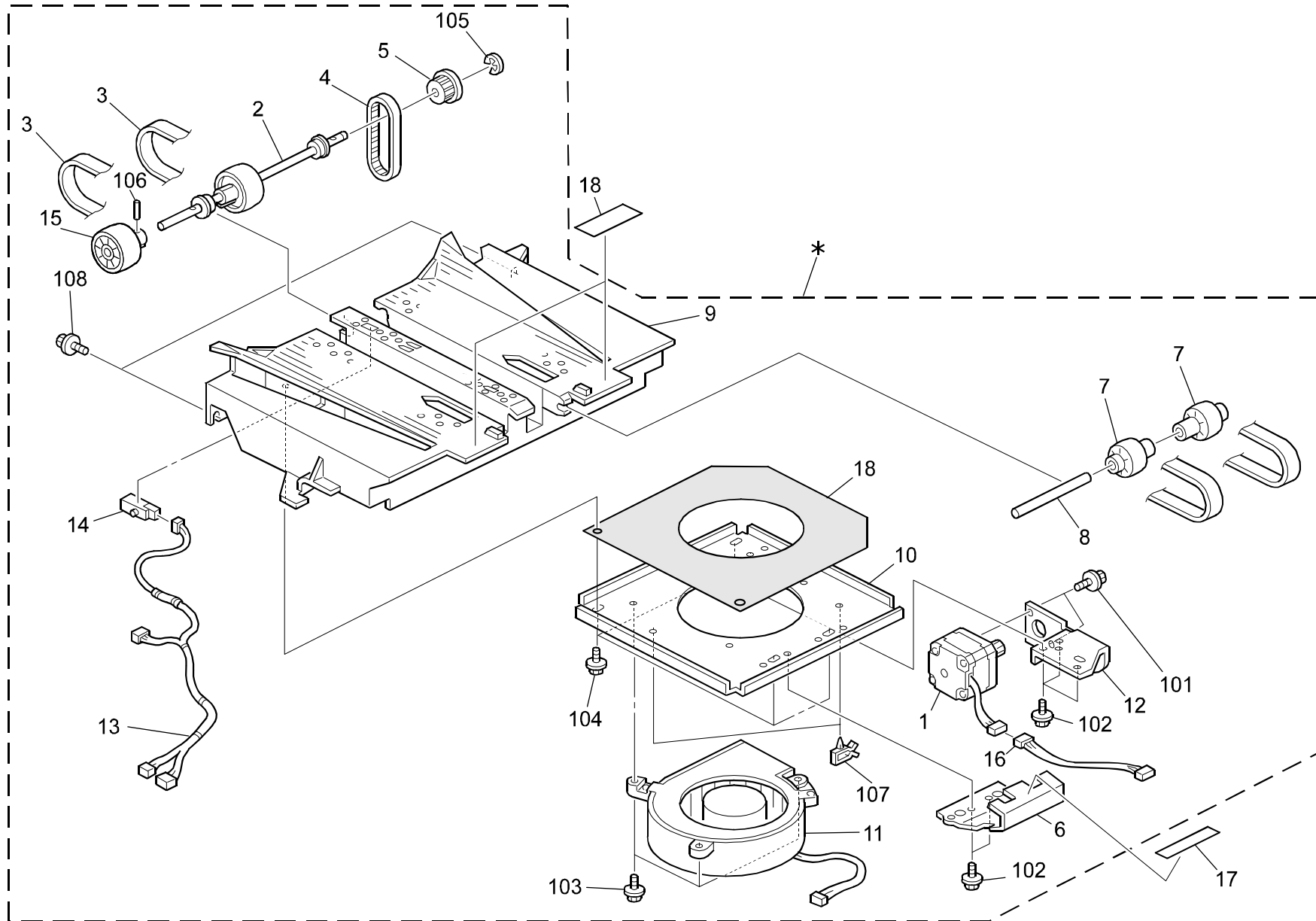
Index No.	Part No.	Description	Q'ty Per Assembly
*	C249 2325	Ink Roller Ass'y	1
1	C238 2467	Ink Pipe	1
2	C238 2466	Pipe Bracket	1
3	C238 2476	Ink Tube	1
4	C238 2468	Ground Plate	1
5	C238 2483	Side Plate	2
6	AW10 0022	Optics Thermistor	1
7	C209 4713	Hose Band	1
8	C238 2475	Drum Shaft Ass'y - A3	1
9	C249 2472	Ink Sensor	1
10	C238 2470	Ink Sensor Bracket	1
11	C238 2463	Drum Main Stay - A3	1
12	C238 2450	Ink Roller - A3	1
13	C238 2454	Doctor Roller - A3	1
14	C238 2465	Drum Stay Shaft	1
15	C249 2455	Rear Side Plate - Drum	1
16	C201 4665	Bearing Holder	2
17	C238 2493	Front Bank Plate	1
18	C207 4672	Gear - 36Z	1
19	C238 2490	Rear Bank Plate	1
20	C249 2457	Front Side Plate - Drum	1
21	C238 2487	Front Shaft Collar	1
22	C229 2544	Ink Roller Ring	2
23	C231 2397	Left Collar	1
24	C238 5252	Ink Sensor Harness	1
25	C200 4748	Gear - 45T	1
26	C247 2461	Adjusting Plate - Doctor Roller	2
27	C238 2448	Front Ink Blade	1
28	C238 2447	Rear Ink Blade	1
29	C238 2469	Doctor Roller Drive Gear	1
30	C209 4711	Hose Band	1
31	C238 2485	Drum Shaft Joint	1
32	C238 2489	Rubber Bushing Plate	1
33	C238 2488	Rubber Bushing	1
34	C238 2460	Ink Roller Drive Gear	1

Index No.	Part No.	Description	Q'ty Per Assembly
35	C238 2585	Screw Mm6x1.7	2
36	C249 2682	Idling Cam	2
37	C249 2336	Front Arm	1
38	C249 2680	Spring	2
39	C249 2334	Idling Roller	1
40	C236 2576	Blade Bracket	1
41	C249 2335	Rear Arm	1
42	C229 2590	Shift Motor Cover	1
43	C229 5804	DC Motor - 20W	1
44	C249 2690	Motor Bracket	1
45	C236 2564	Worm Wheel Gear	1
46	C236 2565	Ink Middle Gear	1
47	C249 2691	Shaft	1
48	C236 2566	Return Gear	1
49	C249 2681	Idling Shaft	1
50	C249 2683	Sensor Feeler	1
51	AW02 0075	Photointerruptor	1
52	C249 2692	Sensor Bracket	1
53	C238 4071	Sensor Guide	1
54	C247 2468	Pipe Cover	2
55	C249 5253	Motor Relay Harness	1
56	C249 5254	Sensor Relay Harness	1

Index No.	Part No.	Description	Q'ty Per Assembly
101	0353 0120Z	Screw - M3x12	
102	0807 7114	Washer - 16x24x0.3mm	
103	0725 0160E	Retaining Ring C - M16	
104	0594 0080B	Hexagon Hole Bolt - M4x8	
105	0575 0080E	Hexagon Headless Set Screw - M5x8	
106	0951 4006Z	Philips Screw With Flat Washer - M4	
107	0314 0080Z	Philips Screw - 4x8	
108	0720 0050E	Retaining Ring - M5	
109	0450 3006B	Tapping Screw - M3x6	
110	0594 0120W	Hexagon Bolt - M4x12	
111	0353 0050B	Philips Truss Head Screw - M3x5	
112	0354 0060B	Screw - M4X6	
113	1105 0534	Clamp	
114	0312 5050Z	Philips Pan Head Screw - M2.5x5	

Index No.	Part No.	Description	Q'ty Per Assembly

17. Vacuum Fan Unit (C249)

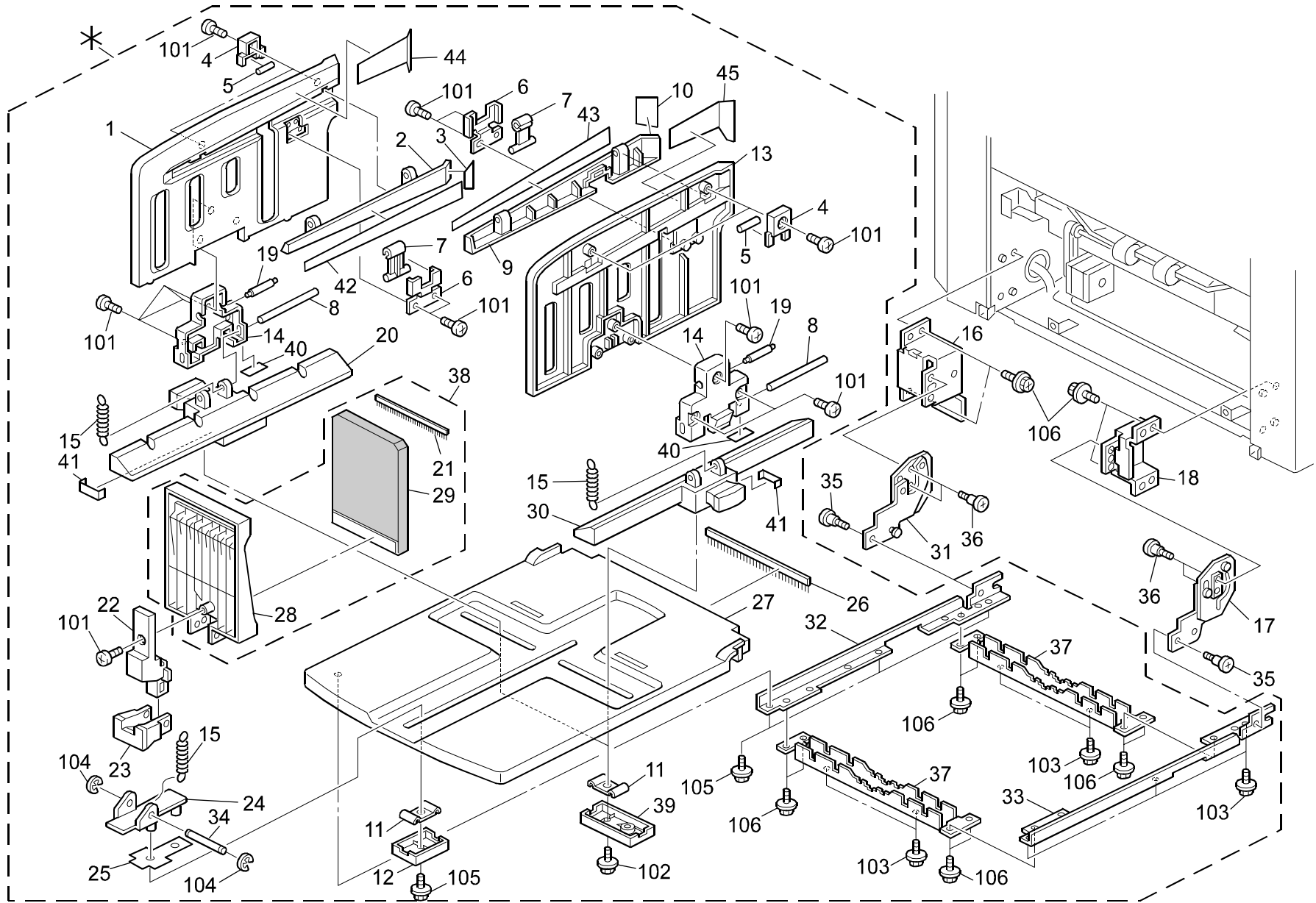


17. Vacuum Fan Unit (C249)

Index No.	Part No.	Description	Q'ty Per Assembly
*	C249 3800	Paper Delivery Unit (NA/EU/AA)	1
*	C238 3803	Delivery Unit - China	1
1	C238 5812	Stepper Motor	1
2	C238 3876	Drive Shaft	1
3	C249 3874	Transport Belt -478	2
4	C238 3879	Timing Belt	1
5	C238 3875	Drive Gear	1
6	C238 3855	Guide Plate	1
7	C238 3890	Drive Roller - Drum Side	2
8	C238 3877	Driven Shaft	1
9	C238 3861	Delivery Duct	1
10	C238 3852	Fan Bracket	1
11	C231 5880	Air Knife Fan	1
12	C238 3857	Motor Bracket	1
13	C238 5272	Paper Delivery Harness	1
14	AW01 0076	Photosensor - PS-117D1	1
15	C238 3889	Drive Roller	1
16	C238 5275	Motor Relay Harness	1
17	C249 3894	Sheet:Short:Hale Unit	1
18	C249 3895	Sheet:Long:Hale Unit	2
19	C238 3858	Air Reduction Sheet	1

Index No.	Part No.	Description	Q'ty Per Assembly
101	0451 3006B	Tapping Screw - M3x6	
102	0451 4006B	Tapping Screw - 4x6	
103	0451 4014B	Tapping Screw - M4x14	
104	0450 4008B	Tapping Screw - 4x8	
105	0720 0060E	Retaining Ring - M6	
106	0633 0140G	Parallel Pin - 3x14	
107	1105 0267	Harness Clamp - YMC-10-0	
108	0451 4008W	Tapping Screw - M4x8	

18.Delibary Table (C249)

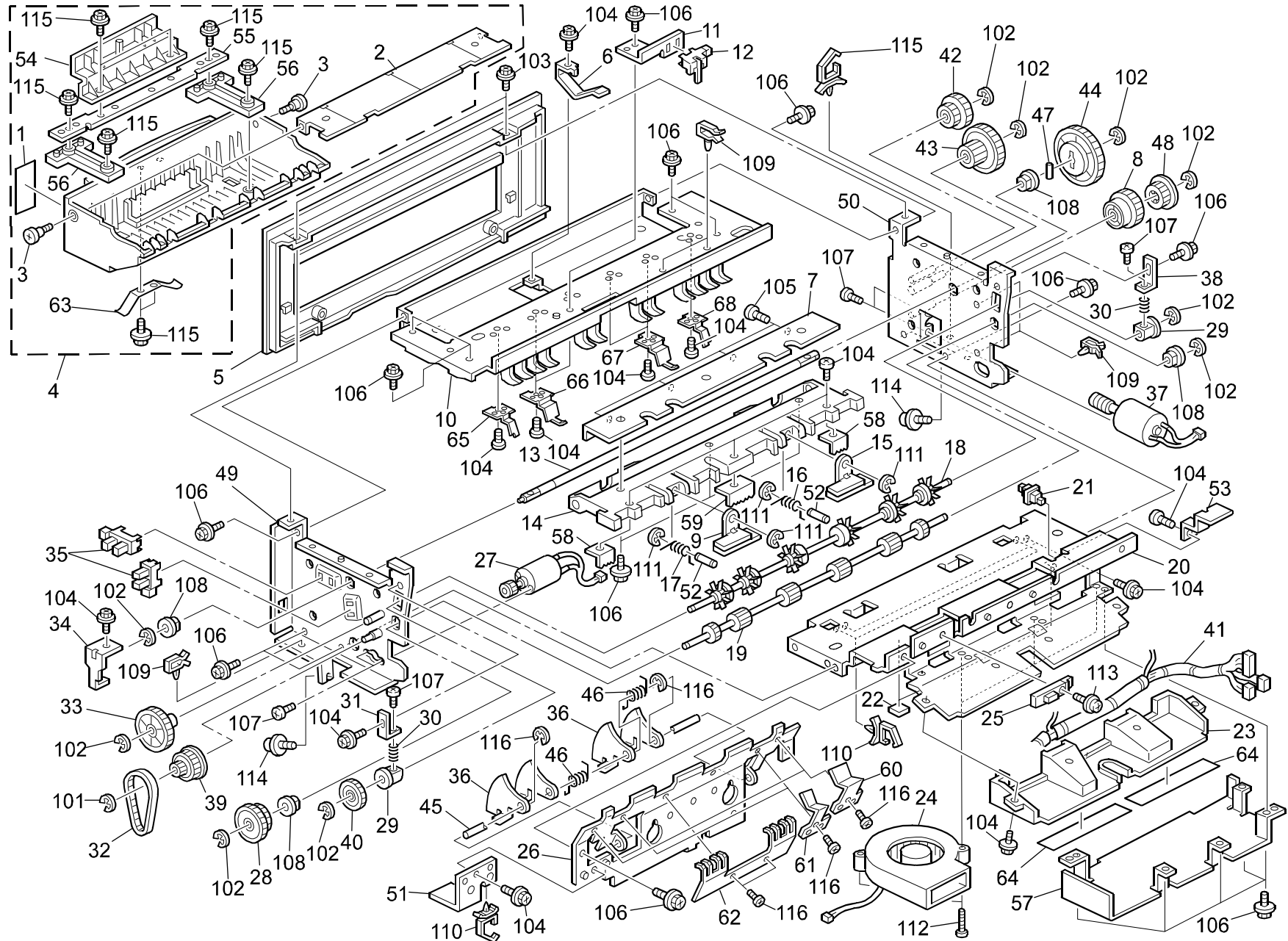


18.Delibary Table (C249)

Index No.	Part No.	Description	Q'ty Per Assembly
*	C249 4205	Paper Exit Table (NA/EU/AA)	1
*	C249 4206	Paper Exit Table - CHN	1
1	C238 4412	Rear Side Fence	1
2	C238 4416	Rear Wing	1
3	C233 4427	Rear Exit Guide	1
4	C238 4417	Wing Stopper	2
5	C227 6156	Upper Guide Shaft	2
6	C233 4418	Link Spring Plate	2
7	C238 4425	Wing Link	2
8	C233 4414	Pin - Lower Side Fence	2
9	C238 4415	Front Wing	1
10	C233 4426	Front Exit Guide	1
11	C231 4420	Slider Spring Plate	3
12	C238 4421	Slider Cover	1
13	C238 4411	Front Side Fence	1
14	C238 4413	Side Fence Base	2
15	C231 4413	Delivery Table Spring	2
16	C238 4442	Rear Table Bracket	1
17	C238 4431	Front Table Hinge	1
18	C238 4441	Front Table Bracket	1
19	C231 4415	Upper Side Fence Pin	2
20	C238 4396	Rear Lower Guide (NA/EU/AA)	1
20	C238 4398	Rear Lower Guide - CHN	1
21	C233 4430	Antistatic Brush	1
22	C238 4422	End Fence Case	1
23	C238 4406	End Plate Knob	1
24	C231 4410	End Plate Bracket	1
25	C231 4425	End Plate Sheet	1
26	C233 4405	Antistatic Brush	1
27	C238 4390	Paper Exit Base	1
28	C238 4420	End Fence:Sub-ass'y	1
29	C229 4376	End Fence Cushion	1
30	C238 4395	Front Lower Guide (NA/EU/AA)	1
30	C238 4397	Front Lower Guide - CHN	1
31	C238 4432	Rear Table Hinge	1

Index No.	Part No.	Description	Q'ty Per Assembly
32	C233 4400	Delivery Table Rear Stay	1
33	C233 4399	Delivery Table Front Stay	1
34	C233 4424	Pin - Lower End Fence	1
35	C217 4426	Shoulder Screw	2
36	C238 4450	Hinge Screw	4
37	C231 4409	Support Plate	2
38	C238 4419	End Fence Ass'y	1
39	C238 4456	Slider Cover	2
40	C238 4440	Side Fence Spacer	2
41	C233 4409	Base Spacer - Paper Exit Sub-unit	2
42	C249 4460	Front Upper Sheet	1
43	C249 4461	Rear Uppersheet	1
44	C249 4462	Front Fence Guide	1
45	C249 4463	Rear Fence Guide	1
101	0452 3008H	Binding Self-tapping Screw - 3x8	
102	0450 3012B	Tapping Screw - 3x12	
103	0450 4008B	Tapping Screw - 4x8	
104	0720 0030Z	Retaining Ring - M3	
105	0451 3008B	Tapping Screw - M3x8	
106	0451 4006B	Tapping Screw - 4x6	

19.Master Eject Unit (C249)



19.Master Eject Unit (C249)

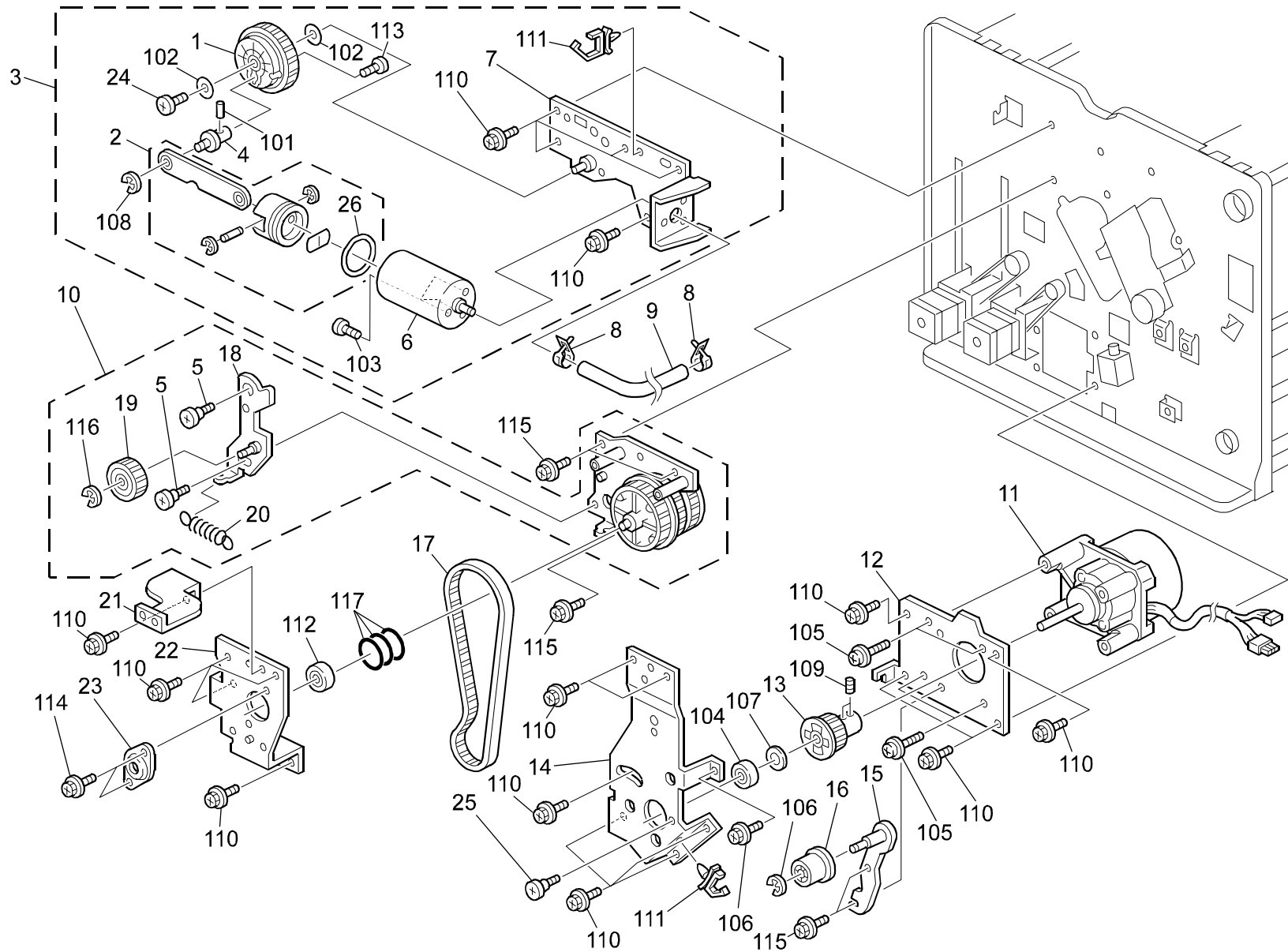
Index No.	Part No.	Description	Q'ty Per Assembly
*	C249 3400	Master Eject Unit	1
1	C249 3600	Decal - Master Ejection	1
2	C238 3477	Eject Box Cover	1
3	C231 3513	Stepped Screw	2
4	C249 3490	Eject Box Ass'y	1
5	C238 3481	Master Eject Cover	1
6	C231 3479	Spring Plate	1
7	C238 3475	Pressure Guide Plate	1
8	C238 3556	Torque Limiter - 2500G	1
9	C249 3511	Front Holder	1
10	C249 3462	Master Eject Stay	1
11	C249 3485	Sensor Bracket	1
12	C217 8446	Photointerruptor - Master Eject	1
13	C238 3474	Pressure Shaft	1
14	C249 3473	Pressure Plate	1
15	C249 3510	Rear Holder	1
16	C237 3525	Spring	1
17	C237 3524	Pressure Spring	1
18	C249 3468	Upper Eject Roller	1
19	C249 3466	Lower Eject Roller Unit	1
20	C249 3454	Master Eject Unit Base	1
21	AW50 0012	Push Switch	1
22	C237 3576	Separation Plate Cushion	2
23	C249 4350	Air Knife Duct	1
24	C252 5824	Fan:DC24V:0.66A	1
25	C203 8137	Master Sensor	1
26	C249 3463	Air Knife Bracket	1
27	C229 5811	DC Motor - 50W	1
28	C231 3489	Lower Roller Gear	1
29	C231 3486	Bushing	2
30	C249 3484	Spring - 6.9n	2
31	C238 3485	Front Spring Bracket	1
32	C238 3470	Timing Belt - S2M:66Z	1
33	C231 3493	Coupled Gear - Large	1
34	C238 3472	Position Feeler	1

Index No.	Part No.	Description	Q'ty Per Assembly
35	AW02 0075	Photointerruptor	2
36	C237 3571	Master Pick-off Pawl	2
37	C229 5803	DC Motor - 50W	1
38	C238 3486	Rear Spring Bracket	1
39	C238 3469	Belet Gear	1
40	C231 3494	Gear - Lower Roller	1
41	C249 5280	Master Eject Relay Harness	1
42	C238 3519	Second Gear	1
43	C238 3518	First Gear	1
44	C237 3684	Gear - Pressure Plate	1
45	C237 3575	Master Pick-off Pawl Shaft	1
46	C237 3573	Spring	2
47	C237 3505	Pin 3x16	1
48	C229 3557	Gear - 17Z	1
49	C238 3451	Front Side Plate	1
50	C238 3454	Rear Side Plate	1
51	C238 3464	Motor Cover	1
52	C237 3523	Pin - Pressure Plate	2
53	C238 3484	Push Switchcover	1
54	C249 3487	Box Lever	1
55	C249 3491	Box Stay	1
56	C249 3489	Spring Plate	2
57	C249 4352	Air Knife Cover	1
58	C249 3513	Small Claw Ass'y	2
59	C249 3512	Large Claw Ass'y	1
60	C249 3448	Roller Guide	2
61	C249 3447	Small Roller Guide	2
62	C249 3441	Large Roller Guide	1
63	C249 3492	Spring Plate	1
64	C249 4360	Air Knife Guide	2
65	C249 3499	Cover:Master:Master Ejection:Small:Front	1
66	C249 3498	Cover:Master:Master Ejection:Large:Front	2
67	C249 3482	Large Cover	2
68	C249 3483	Small Cover	1

Index No.	Part No.	Description	Q'ty Per Assembly
101	0720 0030E	Retaining Ring - M3	
102	0720 0040E	Retaining Ring - M4	
103	0450 4008B	Tapping Screw - 4x8	
104	0451 3006B	Tapping Screw - M3x6	
105	0950 4010B	Sems Screw - M4x10	
106	0451 4006B	Tapping Screw - 4x6	
107	0353 0050Z	Philips Truss Head Screw - M3x5	
108	0805 3385	Bushing - 6mm	
109	1105 0267	Harness Clamp - YMC-10-0	
110	1105 0310	Harness Clamp - LWS-1S	
111	0720 0020E	Retaining Ring - M2	
112	0451 4014B	Tapping Screw - M4x14	
113	0951 3010Z	Philips Screw With Flat Washer - M3	
114	0954 4008B	Philips Screw - M4x8	
115	0451 3008B	Tapping Screw - M3x8	
116	0353 0040Z	Binding Head Screw M3x4 (100pcs)	

Index No.	Part No.	Description	Q'ty Per Assembly

20. Drive Section 1 (C249)

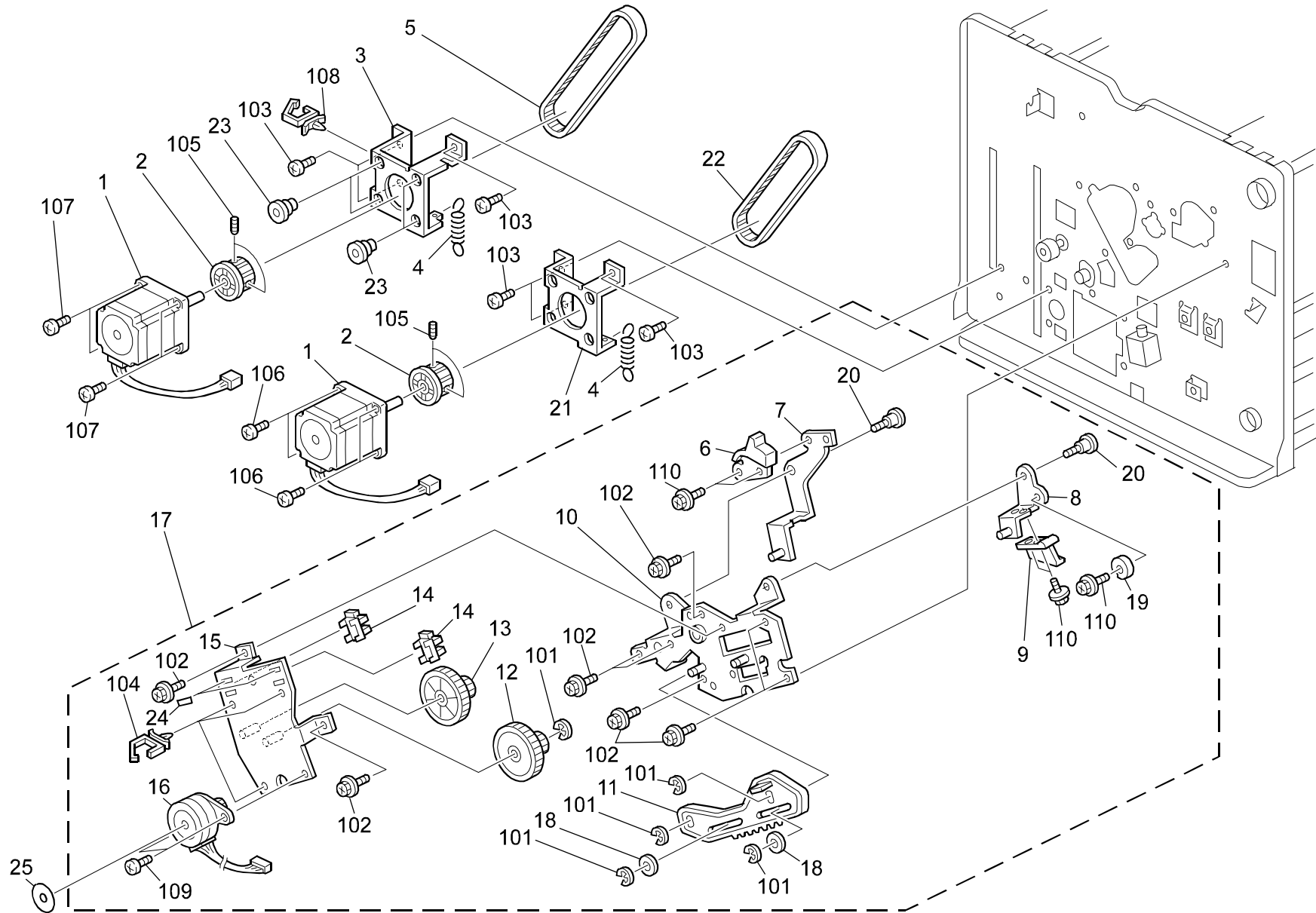


20. Drive Section 1 (C249)

Index No.	Part No.	Description	Q'ty Per Assembly
1	C238 1186	Piston Gear	1
2	C249 4355	Piston Ass'y	1
3	C249 1180	Air Pump Ass'y	1
4	C249 1187	Piston Pin	1
5	C249 1171	Screw - M4	2
6	C213 6043	Air Pump Cylinder	1
7	C238 1181	Air Pump Bracket	1
8	C209 4711	Hose Band	2
9	C238 4369	Exit Pawl Hose	1
10	C249 1160	Drum Drive Gear Ass'y	1
11	C231 5890	Main Motor - DC24V	1
12	C238 1151	Main Motor Bracket	1
13	C238 1152	Main Motor Gear	1
14	C238 1154	Lower Drum Drive Plate	1
15	C238 1156	Belt Tensioner	1
16	C229 1145	Belt Tension Roller	1
17	C238 1172	Main Belt - 150S3M588	1
18	C238 1177	Roller Bracket	1
19	C238 1176	Clutch Gear	1
20	C238 4349	Spring	1
21	C238 1399	Rear Cover Bracket - Middle Lower	1
22	C238 1169	Upper Drum Drive Plate	1
23	C201 5134	Bearing Holder	1
24	5506 6197	Screw - Knife Cam - Leading Edge CL	1
25	5446 3648	Stepped Screw - M4	1
26	C213 6041	O-ring - 33.7	1

Index No.	Part No.	Description	Q'ty Per Assembly
101	0622 5140E	Spring Pin - 2.5x14mm	
102	0807 5009	Spacer - 8.1x11.5x0.1mm	
103	0353 0060B	Philips Pan Head Screw - M3x6	
104	0740 3010	Ball Bearing - 10x26x8mm	
105	0951 5020B	Polished Round Screw - M5x20	
106	0720 0060E	Retaining Ring - M6	
107	0807 7046	Washer - 10.5x20x0.2mm	
108	0720 0030E	Retaining Ring - M3	
109	0575 0060E	Hexagon Headless Set Screw - M5x6	
110	0451 4006B	Tapping Screw - 4x6	
111	1105 0511	Harness Clamp - LWS-0306ZC	
112	0740 3010	Ball Bearing - 10x26x8mm	
113	0954 4008B	Philips Screw - M4x8	
114	0451 3006B	Tapping Screw - M3x6	
115	0451 4008W	Tapping Screw - M4x8	
116	0720 0040E	Retaining Ring - M4	
117	0807 7013	Spacer - 10.2x14x0.2 mm	

21. Drive Section 2 (C249)

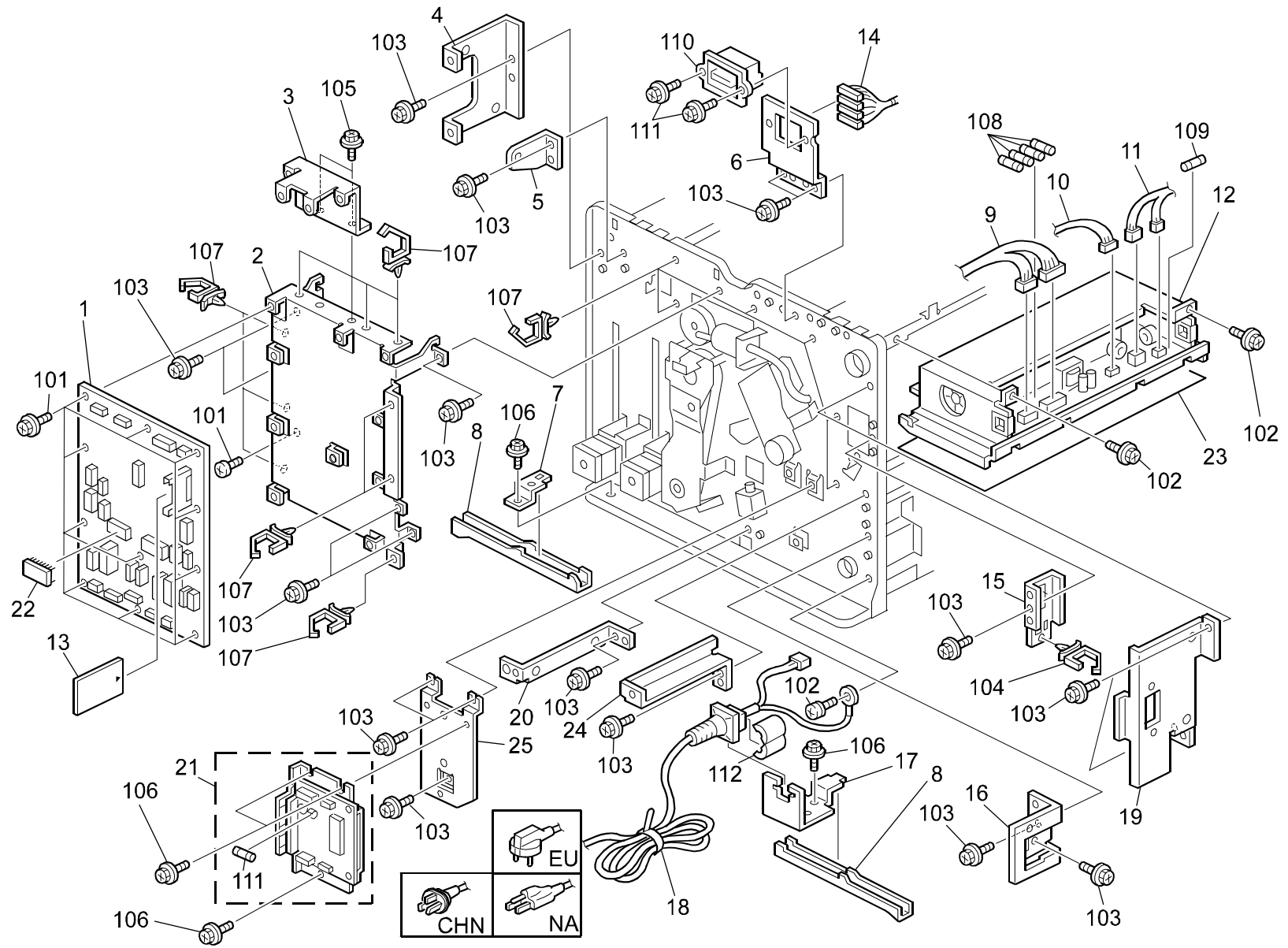


21. Drive Section 2 (C249)

Index No.	Part No.	Description	Q'ty Per Assembly
1	C238 5801	Stepper Motor - DC 13.9W	2
2	C229 2946	Motor Pulley	2
3	C238 5731	Feed Motor Bracket	1
4	C238 2849	Tension Spring - 18n	2
5	C238 2948	Timing Belt - 140-XL-050	1
6	C238 4058	Master Clamp Guide	1
7	C238 4055	Master Clamp Lever	1
8	C238 4059	Eject Clamp Lever	1
9	C238 4061	Eject Clamp Guide	1
10	C238 4000	Clamp Drive Base	1
11	C238 4051	Clamp Drive Rack	1
12	C238 4063	Slow Down Gear	1
13	C238 4062	Rack Drive Gear	1
14	AW02 0075	Photointerruptor	2
15	C238 4064	Clamp Drive Side Plate	1
16	H521 5010	Scanner Motor - ADF - DC 32W	1
17	C249 4010	Clamp Drive Unit	1
18	C238 4053	Rack Spacer	1
19	C238 4070	Eject Clamp Pusher	1
20	C217 4426	Shoulder Screw	2
21	C238 5729	Motor Bracket - Feed Roller	1
22	C238 2905	Timing Belt - 110-XL-050	1
23	C403 1899	Rubber Bushing - M4	4
24	C238 4071	Sensor Guide	2
25	C249 1286	Spacer Sheet - Motor (CHN)	1

Index No.	Part No.	Description	Q'ty Per Assembly
101	0720 0040E	Retaining Ring - M4	
102	0451 4006B	Tapping Screw - 4x6	
103	0314 0040B	Philips Pan Head Screw - M4x4	
104	1105 0511	Harness Clamp - LWS-0306ZC	
105	0574 0080E	Hexagon Headless Set Screw - M4x8	
106	0354 0080Z	Screw - M4X8	
107	0354 0140B	Screw - M4X14	
108	1105 0508	Harness Clamp - LWS-0711	
109	0453 3006B	Tapping Screw - M3x6	
110	0451 3006B	Tapping Screw - M3x6	

22.Electrical Section 1 (C249)

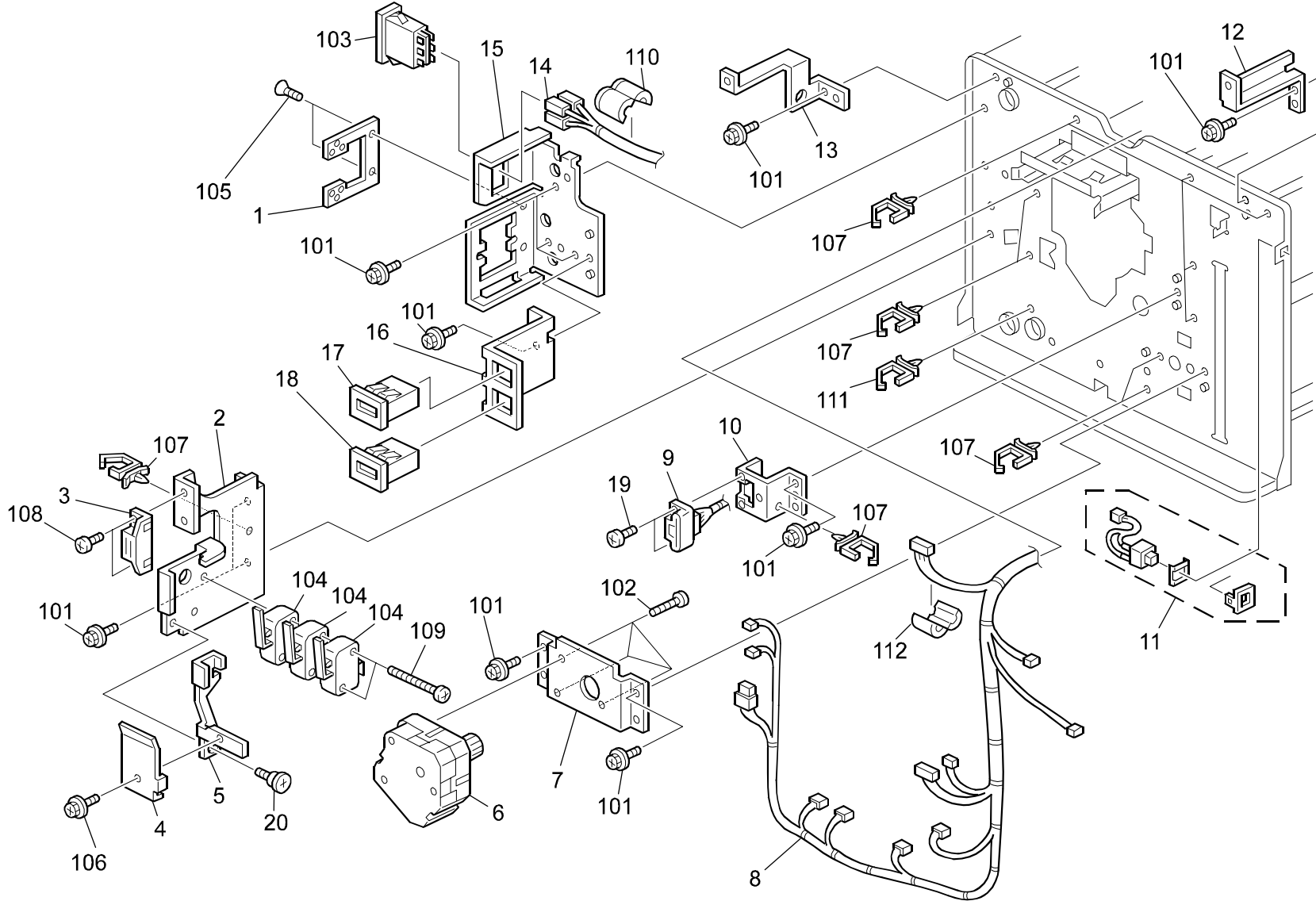


22.Electrical Section 1 (C249)

Index No.	Part No.	Description	Q'ty Per Assembly
1	C249 5120	MPU - EXP	1
2	C249 5601	Main Board Bracket	1
3	C249 5632	I/F Bracket	1
4	C238 1396	Rear Cover Bracket - Right Upper	1
5	C238 1958	MPU Bracket	1
6	C238 1395	Middle Upper Bracket - DOM	1
7	C229 1072	Grip Guide Bracket	1
8	C229 1071	Grip Plate - Short	2
9	C249 5200	DC Harness	1
10	C249 5210	Plotter Relay Harness	1
11	C249 5205	Main Switch Harness	1
12	C238 5310	DC Power Supply - 328W (NA/EU/AA)	1
12	C238 5300	DC Power Supply:Main:328W:CHN:Ass'y	1
13	C249 5114	Main Firmware	1
14	C236 5274	ADF Relay Harness	1
15	C249 3500	Connector Bracket	1
16	C238 5630	Tape Marker Bracket	1
17	C238 5670	Cord Bracket	1
18	C238 5821	Power Supply Cord - 115V (NA)	1
18	C238 5823	Power Supply Cord - 230V (EU/AA)	1
18	C238 5822	Power Supply Cord - CHN	1
19	C238 1377	Connector Bracket	1
20	C238 1389	Rear Cover Bracket - Lower	1
21	C249 5150	Motors Control Board	1
22	C249 5124	I/O Rom	1
23	C238 5627	Insulating Sheet:Base:Power Supply Unit	1
24	C238 1398	Rear Cover Bracket - Left Upper	1
25	C249 5634	Board Bracket	1

Index No.	Part No.	Description	Q'ty Per Assembly
101	0314 0040B	Philips Pan Head Screw - M4x4	
102	0954 4008B	Philips Screw - M4x8	
103	0451 4006B	Tapping Screw - 4x6	
104	1105 0488	Harness Clamp	
105	0451 3006B	Tapping Screw - M3x6	
106	0451 4008W	Tapping Screw - M4x8	
107	1105 0490	Harness Clamp - IWS-2218	
108	1107 0868	Fuse - 5A 125V	
109	1107 0880	Fuse - 6.3A 250V	
110	1102 7445	Connector - 46P	
111	1107 0652	Fuse (glass Case) - 10A - 125V	
112	1607 0869	Ferrite Core - ZCAT2035-0930A	

23.Electrical Section 2 (C249)

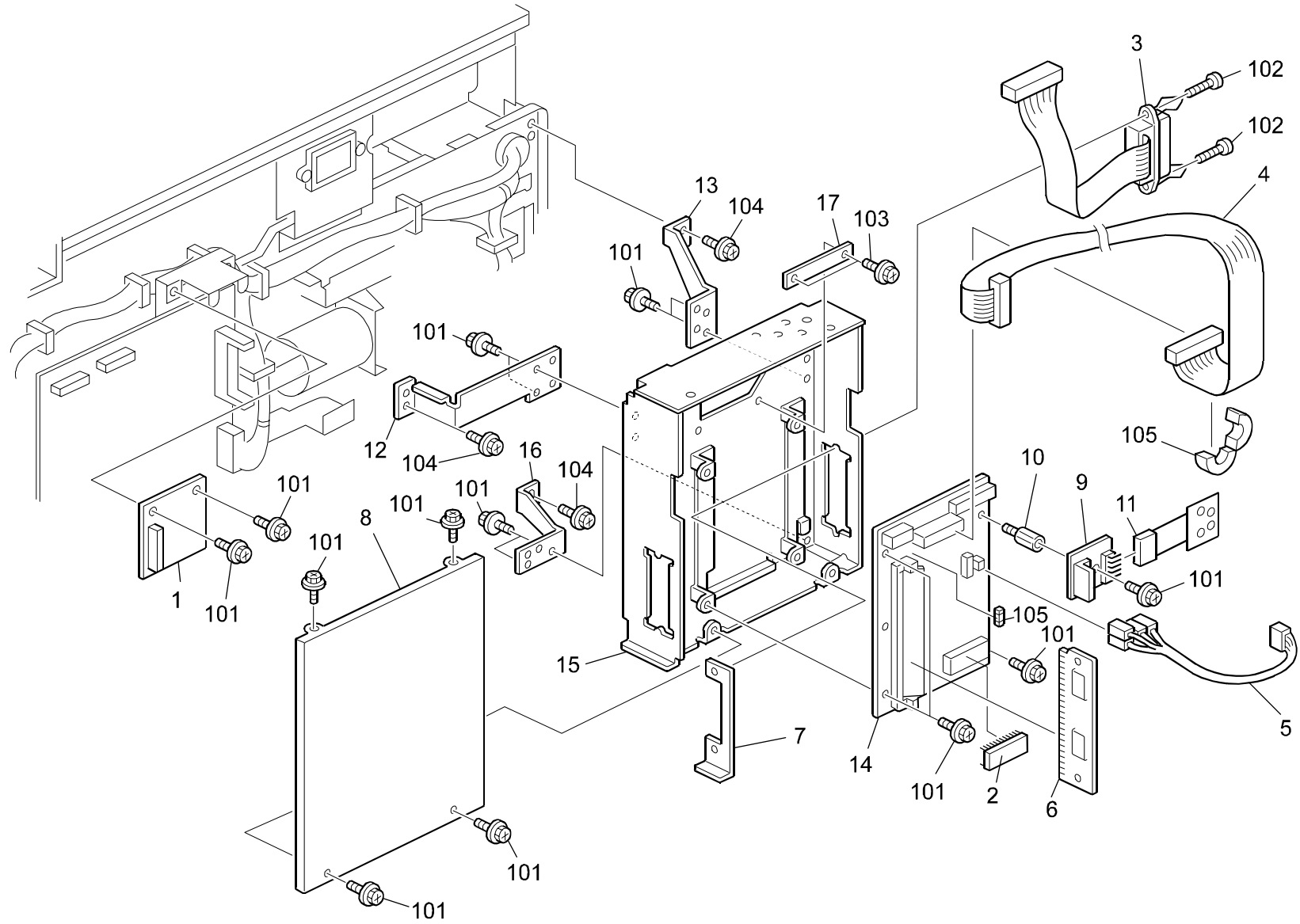


23.Electrical Section 2 (C249)

Index No.	Part No.	Description	Q'ty Per Assembly
1	C238 1339	Key Counter Plate Nut	1
2	C238 5685	Safety Switch Bracket	1
3	5054 0536	Magnet Catch Ass'y	1
4	C238 5646	Safety Switch Spring Plate	1
5	C238 5645	Safety Switch Lever	1
6	C229 5814	DC Motor - 24V	1
7	C238 2785	Tray Motor Bracket	1
8	C249 5200	DC Harness	1
9	C249 5215	Drum Relay Harness	1
10	C249 2611	Connector Bracket	1
11	C209 8288	Table Down Switch	1
12	C238 1387	Front Cover Bracket2 - Upper	1
13	C238 1388	Front Cover Bracket3 - Upper	1
14	C249 5205	Main Switch Harness	1
15	C238 5650	Main Switch Bracket	1
16	C238 5651	Total Counter Bracket	1
17	C237 5471	Total Counter - 6fig	1
18	C237 5472	Total Counter - 7fig	1
19	C229 2633	Stepped Screw	2
20	AA14 3005	Stepped Screw - M4x2.5	1

Index No.	Part No.	Description	Q'ty Per Assembly
101	0451 4006B	Tapping Screw - 4x6	
102	0450 4025B	Tapping Screw With Washer - M4x25	
103	1204 2501	Main Switch	
104	1204 2497	Micro Switch	
105	0323 0100Z	Philips Sunken Head Screw - M3x10	
106	0451 3006B	Tapping Screw - M3x6	
107	1105 0508	Harness Clamp - LWS-0711	
108	0453 3006B	Tapping Screw - M3x6	
109	0313 0350B	Philips Pan Head Screw - M3x35	
110	1607 0869	Ferrite Core - ZCAT2035-0930A	
111	1105 0511	Harness Clamp - LWS-0306ZC	
112	1607 0534	Ferrite Core - ZCAR3035-1330	

24.Electrical Section 3 (C249 CHINA MODELS ONLY)

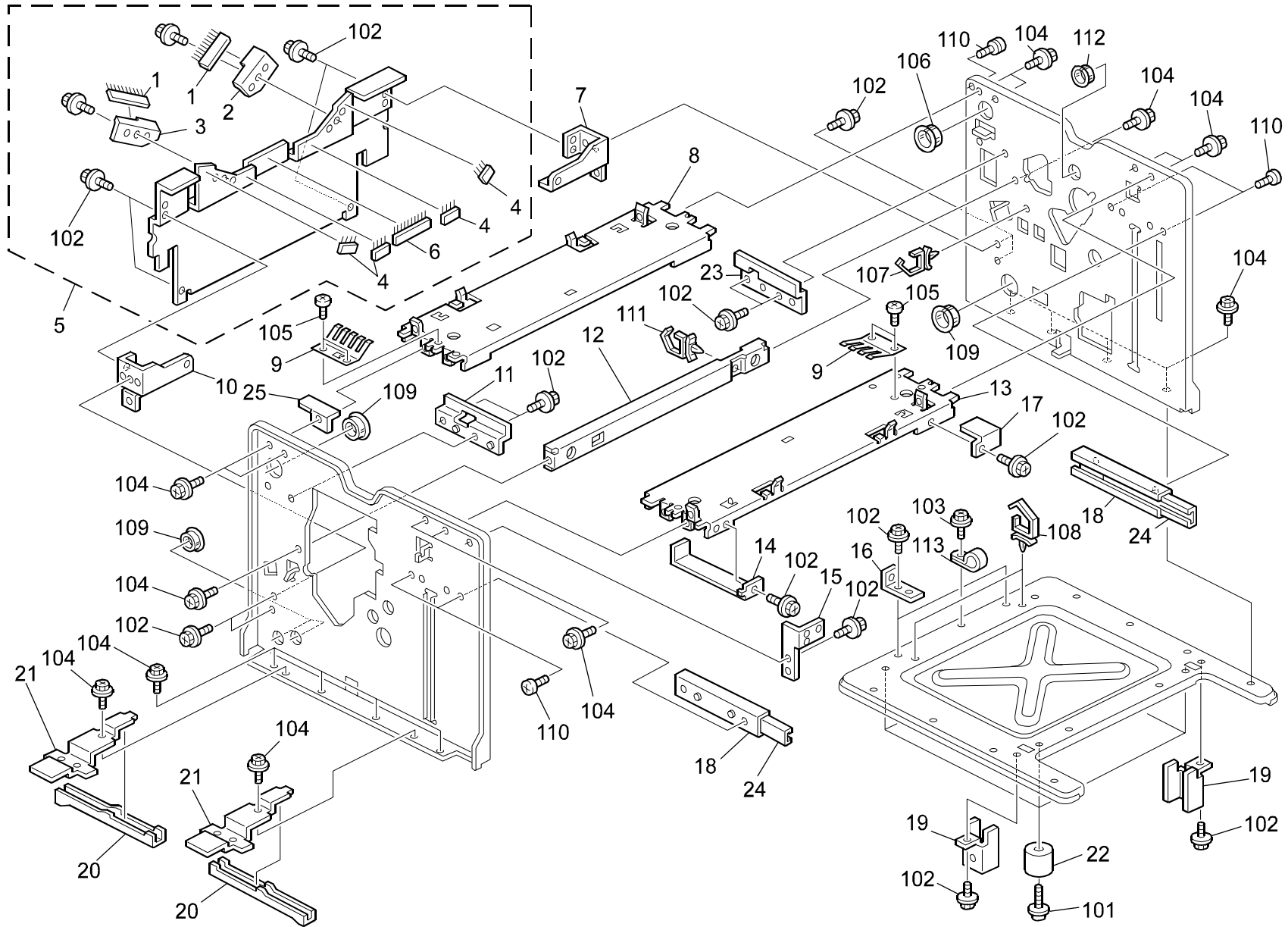


24. Electrical Section 3 (C249 CHINA MODELS ONLY)

Index No.	Part No.	Description	Q'ty Per Assembly
*	C613 6036	Driver CD-ROM-CHN	1
*	C613 8626	Operating Instructions - CHN	1
1	C607 5150	Vif Printed Circuit Board Ass'y	1
2	C613 5012	Flash Memory	1
3	C249 5415	Interface Harness	1
4	C249 5399	Flat Cable Harness	1
5	C249 1002	Panel Harness	1
6	C613 5005	SIMM - 16MB	1
7	C249 5646	Plate	1
8	C613 5645	Shadeing Plate	1
9	C613 1005	Connecting Base	1
10	C249 5659	Stud	1
11	C613 1011	Panel	1
12	C249 5654	Left Stand	1
13	C249 5655	Upper Right Stand	1
14	C613 5297	Main Control Board	1
15	C613 5631	C/T Box	1
16	C249 5656	Lower Right Stand	1
17	C218 3039	Flat Cable Clamp	1

Index No.	Part No.	Description	Q'ty Per Assembly
101	0451 3006B	Tapping Screw - M3x6	
102	0353 0080Z	Philips Trass Head Screw - M3x8	
103	0451 3006B	Tapping Screw - M3x6	
104	1607 0663	Ferrite CoreE - TFC-20-10-10	
105	1107 0914	Fuse - 1A:125V	

25.Frame Section (C249)



25.Frame Section (C249)

Index No.	Part No.	Description	Q'ty Per Assembly
1	C238 3887	Antistatic Brush - Long	2
2	C238 3867	Rear Adjust Plate	1
3	C238 3866	Front Adjust Plate	1
4	C249 3886	Antistatic Brush - Short	4
5	C238 3801	Paper Delivery Stay	1
6	C249 3885	Antistatic Brush - Long	1
7	C238 3882	Rear Bracket	1
8	C238 1998	Left Scanner Stay	1
9	A267 1089	Grounding Plate - Upper Rear	2
10	C238 3881	Front Bracket	1
11	C238 3532	Eject Slide Rail - Front	1
12	C238 3551	Eject Unit Stay	1
13	C238 1990	Right Scanner Stay	1
14	C238 1996	Cover	1
15	C238 1386	Front Cover Bracket1 - Upper	1
16	C238 3883	Lower Bracket	2
17	C249 1992	Spacer - Rear Right	1
18	C249 2161	Outside Rail	2
19	C238 1070	Rack Guide	2
20	C229 1071	Grip Plate - Short	2
21	C238 1068	Front Grip Plate	2
22	C238 1057	Rubber Foot	4
23	C238 3531	Eject Slide Rail - Rear	1
24	C249 2162	Inside Rail	2
25	C249 1993	Spacer - Front Left	1

Index No.	Part No.	Description	Q'ty Per Assembly
101	0951 4020B	Philips Screw With Washer - M4x20	
102	0451 4006B	Tapping Screw - 4x6	
103	0451 3006B	Tapping Screw - M3x6	
104	0451 4008W	Tapping Screw - M4x8	
105	0453 3006B	Tapping Screw - M3x6	
106	1106 0351	Bushing - 12x35x48	
107	1105 0511	Harness Clamp - LWS-0306ZC	
108	1105 0508	Harness Clamp - LWS-0711	
109	1106 0349	Bushing - 25	
110	0801 0150	Philips Screw - M4x8	
111	1105 0488	Harness Clamp	
112	1106 0167	Bushing - 11mm	
113	1105 0428	Clamp	
114	0451 4006B	Tapping Screw - 4x6	

26.MPU Board (C249)

CAPACITOR

SYMBOL NO.	INDEX NO.	SYMBOL NO.	INDEX NO.	SYMBOL NO.	INDEX NO.	SYMBOL NO.	INDEX NO.	SYMBOL NO.	INDEX NO.	SYMBOL NO.	INDEX NO.	SYMBOL NO.	INDEX NO.
C101	229	C111	181	---	---	C131	230	C141	229	C151	227	C161	227
C102	229	C112	180	C122	180	C132	178	C142	227	C152	229	C162	229
C103	229	C113	180	C123	227	C133	169	C143	229	C153	229	C163	229
C104	181	C114	180	C124	227	C134	230	C144	227	C154	229	C164	229
C105	181	C115	227	---	---	C135	229	C145	229	C155	227	C165	227
C106	181	C116	180	C126	180	C136	180	C146	227	C156	227	C166	229
C107	229	C117	180	C127	181	C137	229	C147	229	C157	229	C167	227
C108	181	C118	180	C128	229	C138	229	C148	229	C158	227	C168	227
C109	181	C119	180	C129	229	C139	229	C149	227	C159	229	C169	227
C110	181	C120	180	C130	180	C140	227	C150	229	C160	229	C170	229

CAPACITOR

SYMBOL NO.	INDEX NO.	SYMBOL NO.	INDEX NO.	SYMBOL NO.	INDEX NO.	SYMBOL NO.	INDEX NO.	SYMBOL NO.	INDEX NO.	SYMBOL NO.	INDEX NO.	SYMBOL NO.	INDEX NO.
C171	227	C181	222	C191	229	---	---	C211	227	C221	227	C231	229
C172	229	C182	225	C192	222	C202	169	C212	229	C222	229	C232	227
C173	227	C183	229	C193	227	C203	229	C213	227	C223	227	---	---
C174	223	C184	227	C194	229	C204	227	C214	229	C224	229	C234	222
C175	229	C185	229	C195	178	C205	227	C215	227	C225	229	C235	227
C176	227	C186	179	C196	178	C206	169	C216	178	C226	229	---	---
C177	179	C187	227	C197	223	C207	229	C217	229	C227	227	C237	229
C178	225	C188	229	C198	227	C208	178	C218	227	C228	227	C238	227
C179	229	C189	227	C199	229	C209	227	C219	227	C229	229	C239	229
C180	229	C190	227	C200	229	C210	229	C220	229	C230	227	C240	222

26.MPU Board (C249)

CAPACITOR

SYMBOL NO.	INDEX NO.	SYMBOL NO.	INDEX NO.	SYMBOL NO.	INDEX NO.	SYMBOL NO.	INDEX NO.	SYMBOL NO.	INDEX NO.	SYMBOL NO.	INDEX NO.	SYMBOL NO.	INDEX NO.
C241	229	C251	223	C261	229	C271	227	C281	229	C291	223	C301	166
C242	229	C252	227	C262	229	C272	222	C282	229	C292	164	C302	230
C243	226	C253	227	C263	227	C273	227	C283	229	C293	229	C303	230
C244	227	C254	227	C264	229	C274	222	C284	229	C294	229	C304	227
C245	229	C255	229	C265	227	C275	222	C285	229	C295	229	C305	230
C246	229	C256	227	C266	227	C276	229	C286	227	C296	229	C306	168
C247	227	C257	229	C267	227	C277	229	C287	227	C297	230	C307	229
C248	227	C258	229	C268	229	C278	227	C288	229	C298	230	C308	230
C249	229	C259	227	C269	229	C279	227	C289	227	---	---	C309	227
C250	229	C260	227	C270	229	C280	227	C290	229	C300	230	C310	227

CAPACITOR

SYMBOL NO.	INDEX NO.	SYMBOL NO.	INDEX NO.	SYMBOL NO.	INDEX NO.	SYMBOL NO.	INDEX NO.	SYMBOL NO.	INDEX NO.	SYMBOL NO.	INDEX NO.	SYMBOL NO.	INDEX NO.
C311	230	C321	229	C331	227	C341	229	C351	229	C361	225	C371	227
C312	230	C322	229	C332	227	C342	229	C352	228	C362	229	C372	227
C313	227	C323	229	C333	229	C343	229	C353	227	C363	227	C373	227
C314	230	C324	227	C334	229	C344	229	C354	229	C364	229	C374	229
C315	230	C325	229	C335	229	C345	227	C355	223	C365	225	C375	229
C316	227	C326	229	C336	229	C346	227	C356	223	C366	229	C376	229
C317	230	C327	227	C337	229	C347	229	C357	223	C367	229	C377	229
C318	230	C328	229	C338	227	C348	227	C358	225	C368	225	C378	225
C319	230	C329	227	C339	227	C349	229	C359	227	C369	225	C379	227
C320	229	C330	227	C340	227	C350	227	C360	227	C370	230	C380	227

26.MPU Board (C249)

CAPACITOR

SYMBOL NO.	INDEX NO.	SYMBOL NO.	INDEX NO.	SYMBOL NO.	INDEX NO.	SYMBOL NO.	INDEX NO.	SYMBOL NO.	INDEX NO.	SYMBOL NO.	INDEX NO.	SYMBOL NO.	INDEX NO.
C381	230	C391	229	C401	227	C411	229	---	---	---	---	C441	227
C382	227	C392	227	C402	229	C412	229	---	---	---	---	C442	227
C383	229	C393	229	---	---	C413	227	C423	227	C433	227	C443	229
C384	227	C394	229	C404	229	C414	227	---	---	C434	223	C444	229
C385	227	C395	229	C405	229	C415	229	C425	227	C435	229	C445	222
C386	227	C396	227	C406	227	---	---	C426	223	C436	222	C446	222
C387	225	C397	227	C407	227	C417	229	---	---	C437	229	C447	223
C388	227	C398	227	C408	229	C418	227	C428	229	C438	227	C448	227
C389	227	C399	227	C409	227	---	---	---	---	C439	229	C449	229
C390	167	C400	229	C410	229	C420	229	C430	226	C440	227	C450	227

CAPACITOR

SYMBOL NO.	INDEX NO.	SYMBOL NO.	INDEX NO.	SYMBOL NO.	INDEX NO.	SYMBOL NO.	INDEX NO.	SYMBOL NO.	INDEX NO.	SYMBOL NO.	INDEX NO.	SYMBOL NO.	INDEX NO.
C451	229	C461	222	C471	227	C481	227	C491	223	---	---	C511	227
C452	227	C462	229	C472	227	C482	227	C492	223	C502	223	C512	227
C453	229	C463	224	C473	227	C483	227	C493	223	C503	227	C513	227
C454	222	C464	222	C474	229	C484	227	C494	223	C504	229	C514	227
C455	229	C465	227	C475	229	C485	229	C495	223	C505	227	C515	227
C456	222	C466	226	C476	165	C486	223	C496	223	C506	229	C516	227
C457	227	C467	222	C477	229	C487	223	C497	223	C507	229	C517	227
C458	227	C468	229	C478	227	C488	223	C498	223	C508	229	C518	227
C459	229	C469	229	C479	165	C489	223	C499	223	C509	229	C519	227
C460	227	C470	223	C480	227	C490	223	C500	223	C510	227	C520	227

26.MPU Board (C249)

IC

SYMBOL NO.	INDEX NO.	SYMBOL NO.	INDEX NO.	SYMBOL NO.	INDEX NO.	SYMBOL NO.	INDEX NO.	SYMBOL NO.	INDEX NO.	SYMBOL NO.	INDEX NO.	SYMBOL NO.	INDEX NO.
IC111	7	IC120	117	---	---	IC131	131	IC141	153	IC151	137	IC161	3
(Socket)	151	(Socket)	140	---	---	IC132	141	IC142	144	IC152	137	IC162	139
IC112	142	IC121	1	---	---	IC133	231	IC143	134	---	---	IC163	128
IC113	145	(Socket)	117	---	---	IC134	136	IC144	154	IC154	232	IC164	137
IC114	149	IC122	137	---	---	IC135	130	---	---	IC155	137	IC165	137
IC115	129	IC123	2	---	---	---	---	---	---	---	---	---	---
IC116	127	IC124	139	IC126	132	IC136	138	IC146	134	IC156	128	IC166	128
IC117	152	IC125	137	IC127	231	IC137	133	IC147	137	IC157	4	IC167	146
IC118	149	---	---	IC128	138	IC138	133	IC148	135	IC158	6	---	---
IC119	137	---	---	IC129	136	IC139	233	IC149	233	IC159	8	---	---
---	---	---	---	IC130	137	IC140	137	---	---	IC160	137	---	---

LED

SYMBOL NO.	INDEX NO.
LED101	126
LED102	126
LED103	125
LED104	126
LED105	126
LED106	126

OSC

SYMBOL NO.	INDEX NO.
OSC101	156
OSC102	155
OSC103	157

Q

SYMBOL NO.	INDEX NO.
Q101	118
Q102	119
Q103	119
Q104	119
Q105	119
Q106	119
Q107	119
Q108	120
Q109	119
Q110	119

SYMBOL NO.	INDEX NO.
Q111	119
Q112	119
Q113	119
Q114	119
Q115	119
Q116	118
Q117	119
Q118	119
Q119	119
Q120	119

SYMBOL NO.	INDEX NO.
Q121	119
Q122	119
Q123	119

RESISTOR

SYMBOL NO.	INDEX NO.
R101	176
R102	185
R103	188
R104	189
---	---
R106	189
---	---
R108	189
R109	189
---	---

SYMBOL NO.	INDEX NO.
---	---
---	---
R113	189
R114	189
R115	193
R116	189
R117	189
R118	194
R119	200
R120	189

26.MPU Board (C249)

RESISTOR

SYMBOL NO.	INDEX NO.	SYMBOL NO.	INDEX NO.	SYMBOL NO.	INDEX NO.	SYMBOL NO.	INDEX NO.	SYMBOL NO.	INDEX NO.	SYMBOL NO.	INDEX NO.	SYMBOL NO.	INDEX NO.
R121	189	R131	189	R141	190	R151	189	R161	196	R171	188	R181	189
R122	201	R132	188	R142	187	R152	189	R162	196	R172	188	R182	189
R123	189	R133	189	R143	189	R153	188	R163	196	R173	195	R183	196
R124	189	R134	189	R144	197	R154	188	R164	196	R174	190	---	---
R125	189	R135	188	---	---	---	---	R165	196	R175	196	R185	189
R126	189	R136	188	---	---	---	---	R166	196	R176	196	R186	189
R127	189	R137	189	---	---	---	---	R167	196	R177	196	R187	196
R128	188	R138	189	---	---	R158	198	R168	196	R178	196	---	---
R129	189	R139	189	---	---	R159	196	R169	196	R179	196	R189	211
R130	189	R140	196	R150	196	R160	190	R170	189	R180	196	R190	197

RESISTOR

SYMBOL NO.	INDEX NO.	SYMBOL NO.	INDEX NO.	SYMBOL NO.	INDEX NO.	SYMBOL NO.	INDEX NO.	SYMBOL NO.	INDEX NO.	SYMBOL NO.	INDEX NO.	SYMBOL NO.	INDEX NO.
R191	189	R201	188	R211	210	R221	215	R231	219	R241	210	R251	189
---	---	R202	202	R212	203	R222	204	R232	211	R242	213	R252	198
R193	189	R203	188	---	---	R223	205	R233	184	R243	218	R253	189
---	---	R204	188	R214	208	R224	220	R234	210	R244	221	R254	189
R195	193	R205	207	R215	214	R225	211	R235	211	R245	211	R255	189
R196	197	R206	211	R216	204	R226	209	R236	213	R246	218	R256	189
R197	199	R207	184	R217	192	R227	205	R237	219	R247	221	R257	189
R198	189	---	---	R218	199	R228	209	R238	219	R248	188	R258	189
R199	189	R209	197	R219	217	R229	199	R239	211	R249	189	R259	189
R200	188	R210	219	R220	184	R230	205	R240	216	R250	189	R260	189

26.MPU Board (C249)

Index No.	Part No.	Description	Q'ty Per Assembly
*	C249 5120	MPU - EXP	1
1	C249 5124	I/O ROM	1
2	A232 5355	IC - GATEX	1
3	A250 5501	IC - G8 HG71C106FL	1
4	B004 5260	IC - VIPU_S KS5M9U1198CFP	1
5	C232 5351	Connector - 68POLE	1
6	C236 5353	IC - GATC LC27047C-RJ0	1
7	C238 5687	Heat Sink	2
8	C252 5145	IC:LC272C9BT-WA5	1

Index No.	Part No.	Description	Q'ty Per Assembly
101	1102 4203	CT Header - 4P	
102	1102 4205	CT Header - 6P	
103	1102 4212	CT Header - 15P	
104	1102 4684	Connector - 5566-06R-210	
105	1102 5411	Connector - 24P	
106	1102 5413	Connector - 28P	
107	1102 5414	Connector - 30P	
108	1102 6593	Connector - 9P	
109	1102 6595	Connector - 11P	
110	1102 7857	Connector - B32B-KRWHK-1C	
111	1102 8063	Connector - 54373-0600	
112	1102 8401	Connector:B14B-CZHK-B-1	
113	1102 8408	Connector - B24B-CZWHK-B-1	
114	1102 8410	Connector - B28B-CZWHK-B-1	
115	1102 8596	Connector - B30B-CZWHK-B-1	
116	1102 9053	Connector - FX2CA1-60P-1.27DSAL	
117	1104 0588	DIP Socket - 28p	
118	1400 0455	Transistor - 2SC2873Y	
119	1400 0920	Transistor - DTC143EUA	
120	1400 0983	Transistor:2SD2257	
121	1401 0400	Transistor Array - SLA4060	
122	1402 0804	Silicon Diode - 45V - 0.3A	
123	1402 1041	Diode - DA204U	
124	1402 1342	Diode - 1SR154-400	
125	1403 0828	Diode - SEC1901C	
126	1403 0829	Diode - SEC1201C	
127	1407 1535	IC - TD62308AP	
128	1407 2187	TTLIC - SN74LS07NS	
129	1407 2219	IC - TD62003AP	
130	1407 4870	CMOSIC - 74VHC08 TSSOP	
131	1407 4874	CMOSIC - 74VHC32 TSSOP	
132	1407 4879	CMOS IC - 74VHC74 TSSOP	
133	1407 4898	IC - 74VHC14 TSSOP	
134	1407 4900	IC - 74VHC138 TSSOP	
135	1407 4901	IC - 74VHC139 TSSOP	

Index No.	Part No.	Description	Q'ty Per Assembly
136	1407 4902	IC - 74VJC157 TSSOP	
137	1407 4919	IC - 74VHCT244 TSSOP	
138	1407 5162	IC - HD6412350F20	
139	1407 5331	IC - TC7MB3245FK	
140	1407 5403	RAM:M48T35Y-70PC1	
141	1407 5634	IC:SN74IV20APW	
142	1407 5744	IC - STK672-330	
143	1407 5816	Motor Control IC:STK672-081	
144	1408 0575	IC - M51957BFP	
145	1408 0595	IC - NJM2904M	
146	1408 0826	IC - TA8428K	
147	1408 0827	IC - TA8429H	
148	1408 1095	IC - BA10324AF	
149	1408 1204	IC - TA8083P	
150	1408 1408	IC - STK672-060	
151	1408 1410	IC - STK672-120	
152	1408 1466	Series Regulator - TA78M05S	
153	1408 1668	IC - REGULATOR-R1170H251B	
154	1408 1774	Series Regulator:UPC2933AT	
155	1503 0837	Oscillator - 21.576Mhz	
156	1503 0863	Oscillator - 14.7456Mhz	
157	1503 0871	Oscillator - 44Mhz	
158	1601 7751	Resistor - 4.7K Ω \pm 5%	
159	1601 7752	Resistor Array - 10K Ω \pm 5%	
160	1601 7814	Resistor - 3.3K Ω \pm 5%	
161	1601 7867	Resistor - 33 Ω \pm 5% 1/16W	
162	1601 8172	Variable Resistor - 30K Ω	
163	1602 0987	Capacitor & Coil - 270pF 100V	
164	1605 0744	Capacitor - EMK212F105Z	
165	1605 0781	Capacitor - 5pF 50V	
166	1605 1136	Ceramic Capacitor - 33000pF \pm 10% 2	
167	1605 1161	Capacitor - 0.33 μ F \pm 10% 10V	
168	1605 1190	Ceramic Capacitor - 0.022 μ F \pm 10% 50V	
169	1605 1225	Capacitor - 0.1 μ F \pm 10% 50V	
170	1607 0807	Filter - BK1608HS601	

Index No.	Part No.	Description	Q'ty Per Assembly
171	1607 0815	BLM41P600SPB	
172	1607 0870	Filter - BK1608HS121	
173	1607 0906	EMI Filter ACF321825-101	
174	1607 1016	Filter Array - MZA3216R301A	
175	1607 1018	Filter - ACB1608H-120	
176	1610 1234	Resistor - 47 Ω 1W \pm 5%	
177	1634 0000	Resistor - 0 Ω 1/16W	
178	1640 1101	Capacitor - 100 μ F- \pm 20% 16V	
179	1640 2470	Capacitor - 47 μ F \pm 20% 25V	
180	1640 5100	Capacitor - 10 μ F+20% 50	
181	1640 5101	Capacitor - 100 μ F \pm 20% 50V	
182	1650 2122	Chip Resistor:1.2k Ω	
183	1650 2471	Chip Resistor:470 Ω	
184	1650 3151	Resistor - 150 Ω \pm 5%1/8W	
185	1650 3241	Resistor - 240 Ω \pm 5%1/8W	
186	1650 3471	Resistor - 470 Ω \pm 5%1/8W	
187	1650 4101	Resistor - 100 Ω \pm 5%1/10W	
188	1650 4102	Resistor - 1K Ω \pm 5% 1/10W	
189	1650 4103	Resistor - 10K Ω \pm 5% 1/10W	
190	1650 4105	Resistor - 1M Ω \pm 5% 1/10W	
191	1650 4152	Resistor - 1.5K Ω \pm 5% 1/10W	
192	1650 4221	Resistor - 220 Ω \pm 5%1/10W	
193	1650 4222	Resistor - 2.2K Ω \pm 5%1/10W	
194	1650 4244	Resistor:240k Ω : \pm 5%:1/10W:1608	
195	1650 4271	Resistor - 270 Ω \pm 5%1/10W	
196	1650 4330	Chip Resistor - 33 Ω \pm 5% 1/10W	
197	1650 4332	Resistor - 3.3K Ω \pm 5%1/10W	
198	1650 4471	Resistor - 470 Ω \pm 5%1/10W	
199	1650 4472	Resistor - 4.7K Ω \pm 5% 1/10W	
200	1650 4473	Resistor - 47K Ω \pm 5%1/10W	
201	1650 4514	Resistor - 510K Ω \pm 5% 1/10W	
202	1650 4683	Resistor - 68K Ω \pm 5% 1/10W	
203	1650 4824	Resistor:820k Ω : \pm 5%:1/10W:1608	
204	1654 1000	Resistor - 100 Ω \pm 1% 1/10W	
205	1654 1001	Resistor - 1K Ω \pm 1%1/10W	

27.Decals And Documents (C249)

1

2

3

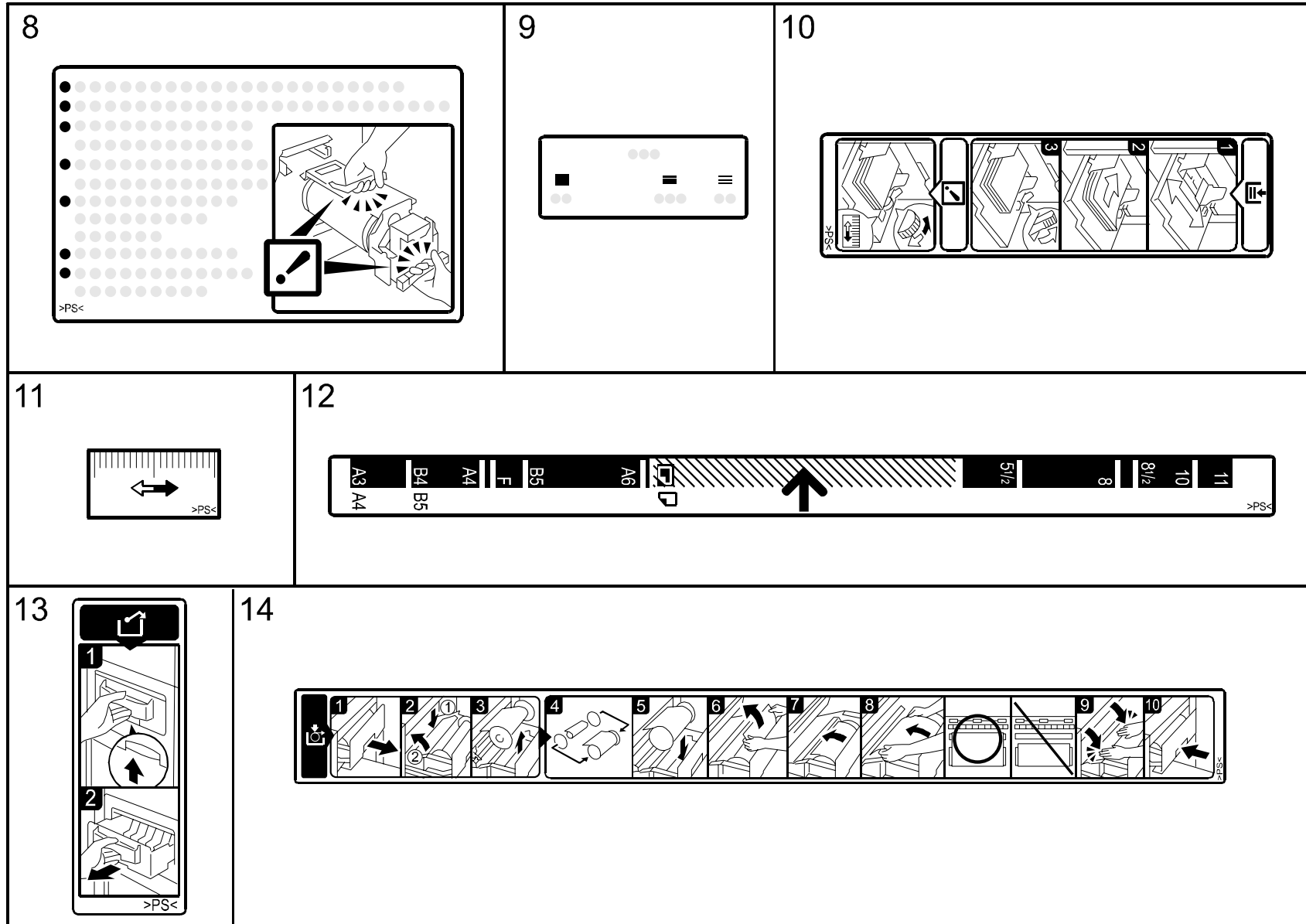
4

5

6

7

27.Decals And Documents (C249)

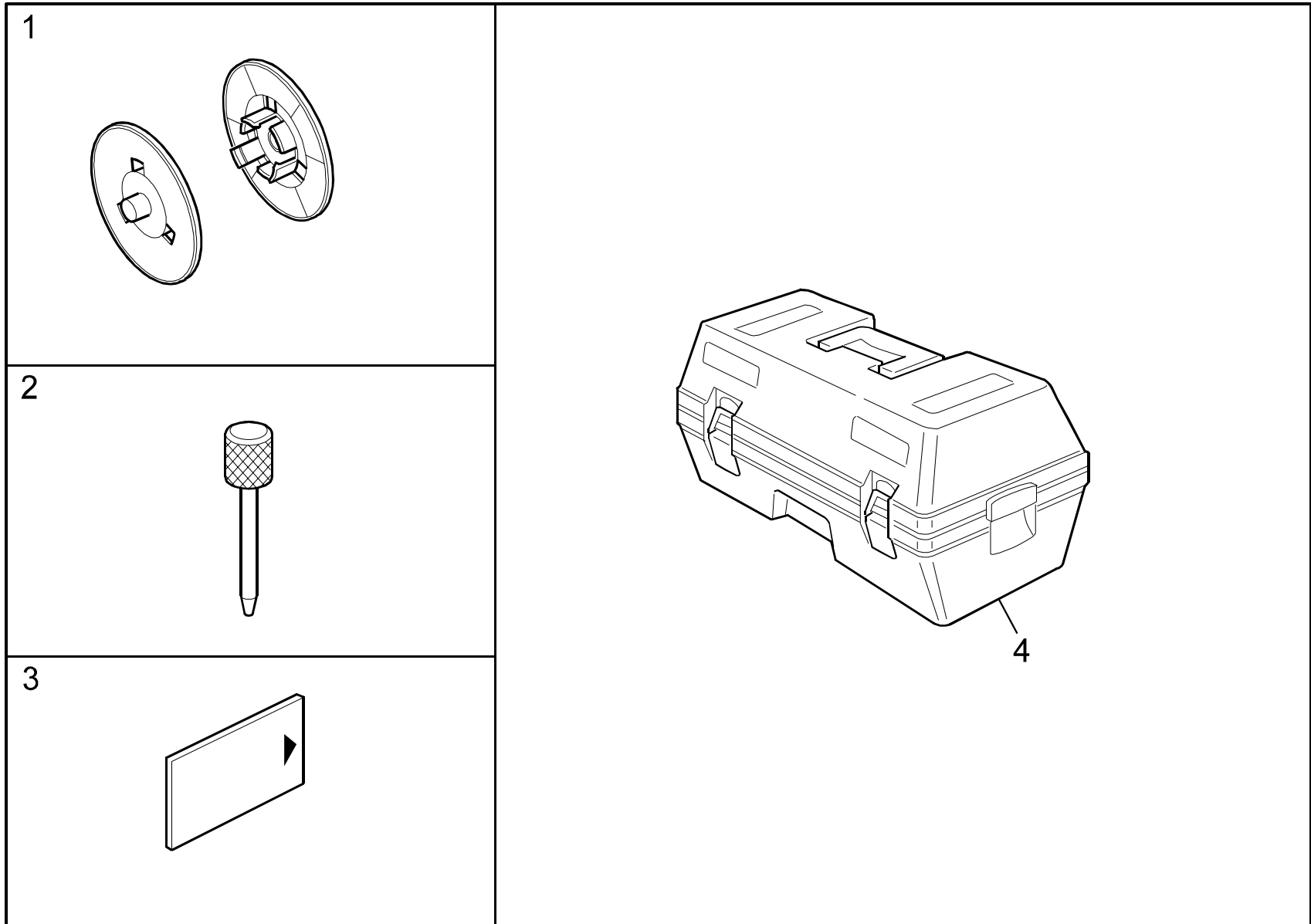


27.Decals And Documents (C249)

Index No.	Part No.	Description	Q'ty Per Assembly
1	C238 1301	Operation Sheet	1
2	C238 1312	Decal - Exit Pawl	1
3	C249 8697	Operating Instructions - English (NA)	1
3	C249 8698	Operating Instructions - STD:English	1
3	C249 8600	Operating Instructions - EU:ENG	1
3	C249 8690	Operating Instructions - NRG:EU:ENG	1
3	C249 8606	Operating Instructions - RIC:CHN	1
3	C249 8686	Operating Instructions - GES:CHN	1
4	C249 1320	Emblem Decal - SD420	1
4	C249 1321	Emblem Decal - GES	1
4	C249 1322	Emblem Decal - REX	1
4	C249 1323	Emblem Decal - NSA	1
4	C249 1269	Emblem Decal - JP4500	1
4	C249 1326	Emblem Decal - 6254P	1
4	C249 1325	Emblem Decal - JP4510P	1
5	C238 1352	Decal - Paper Table	1
6	C249 1971	Decal - Left Hand	1
7	C249 1972	Decal - Right Hand	1
8	C238 2553	Decal - Drum	1
9	C249 2942	Decal - Paper Pressure - NA/EU/AA	1
9	C249 2940	Decal - Paper Pressure- CHN	1
10	C238 2996	Decal - Paper Set	1
11	C238 2997	Decal - Scale	1
12	C238 2998	Decal - Paper Size	1
13	C249 3600	Decal - Master Ejection	1
14	C249 5660	Decal - Master Set	1

Index No.	Part No.	Description	Q'ty Per Assembly
-----------	----------	-------------	-------------------

28. Accessories And Special Tools (C249)



28. Accessories And Special Tools (C249)

Index No.	Part No.	Description	Q'ty Per Assembly
1	C249 2293	Master Flange - MM52 (NA/EU/AA)	1
1	C249 2294	Master Flange - Mm57 (STD/CHN)	1
2	A006 9104	Adjusting Scanner Pin (4PCS/Set)	1
3	N803 6701	Flash Memory Card-4MB	1
4	C608 1000	Optional Drum Case	1

Index No.	Part No.	Description	Q'ty Per Assembly

Parts Index

PM Parts Index

Section Name	Part No.	Description in Service Manual	Description in Parts Catalog	Q'ty Per Assembly	Page and Index No.
Paper Feed Section (C249)	C238 2845	Friction Pad	Separation Pad	1	21- 21
Paper Regisrration (C249)	C238 2835	Paper Feed Roller	Paper Feed Roller	2	23- 15
Press Roller Section (C249)	C249 3050	Press Roller	Pressure Roller	1	31- 14
Drum Unit 2 (C249)	C249 2381	Cloth ScreenA3	Cloth Screen	1	35- 1
Drum Unit 2 (C249)	C620 2381	Cloth Screen	Cloth Screen - A4	1	35- 1
Drum Unit 4 (C249)	C238 2460	Ink Roller On-way Clutch	Ink Roller Drive Gear	1	39- 34
Vacuum Fan Unit (C249)	C249 3874	Paper Delivery Transport Belt	Transport Belt -478	2	41- 3

Parts Index

Part No.	Description	Page and Index No.
C249 1002	Panel Harness	55 - 5
C249 1160	Drum Drive Gear Ass'y	47 - 10
C249 1171	Screw - M4	47 - 5
C249 1180	Air Pump Ass'y	47 - 3
C249 1187	Piston Pin	47 - 4
C249 1269	Emblem Decal - JP4500	9 - 6
C249 1269	Emblem Decal - JP4500	67 - 4
C249 1286	Spacer Sheet - Motor (CHN)	49 - 25
C249 1320	Emblem Decal - SD420	9 - 6
C249 1320	Emblem Decal - SD420	67 - 4
C249 1321	Emblem Decal - GES	67 - 4
C249 1321	Emblem Decal - GES	9 - 6
C249 1322	Emblem Decal - REX	67 - 4
C249 1322	Emblem Decal - REX	9 - 6
C249 1323	Emblem Decal - NSA	9 - 6
C249 1323	Emblem Decal - NSA	67 - 4
C249 1325	Emblem Decal - JP4510P	67 - 4
C249 1325	Emblem Decal - JP4510P	9 - 6
C249 1326	Emblem Decal - 6254P	67 - 4
C249 1326	Emblem Decal - 6254P	9 - 6
C249 1356	Counter Sheet	9 - 23
C249 1358	Rear Cover Ass'y - Left (CHN)	9 - 17
C249 1362	Rear Cover Ass'y - Left (NA/EU/AA)	9 - 17
C249 1371	Small Cover	9 - 1
C249 1445	Left Bracket	11 - 9
C249 1446	Right Bracket	11 - 17
C249 1447	Spring Plate	11 - 32
C249 1451	Panel Base - NA	11 - 8
C249 1456	Panel Base - CHN	11 - 8
C249 1457	Panel Base - EU:AA	11 - 8
C249 1463	Operation Panel Ass'y- NA	11 - 1
C249 1464	Operation Panel Ass'y - CHN	11 - 1
C249 1465	Operation Panel Ass'y - EU AA	11 - 1
C249 1472	Panel Cover	11 - 2
C249 1473	On Line Keys (NA/EU/AA)	11 - 15

Part No.	Description	Page and Index No.
C249 1474	Contenancekey	11 - 22
C249 1475	Clear Modeskey	11 - 21
C249 1476	Programkey	11 - 20
C249 1477	10key	11 - 19
C249 1478	Trial Printkey	11 - 23
C249 1480	User Setting Key	11 - 11
C249 1482	Center Keys	11 - 18
C249 1483	Key Change Cover	11 - 5
C249 1484	Clear/Stopkey	11 - 24
C249 1485	Left Keys	11 - 10
C249 1490	Upper Lens	11 - 12
C249 1491	On Line Lens	11 - 14
C249 1492	Data Lens	11 - 16
C249 1493	Left Small Lens	11 - 13
C249 1498	Left Sheet - NA	11 - 3
C249 1499	Left Sheet - CHN	11 - 3
C249 1500	Left Sheet - EU:AA	11 - 3
C249 1501	Middle Sheet - NA	11 - 4
C249 1502	Middle Sheet - CHN	11 - 4
C249 1503	Middle Sheet - EU:AA	11 - 4
C249 1504	Print Key - NA	11 - 6
C249 1505	Start Key - CHN	11 - 6
C249 1506	Print Key - EU:AA	11 - 7
C249 1507	Start Key - NA	11 - 7
C249 1508	Print Key - CHN	11 - 7
C249 1509	Start Key - EU:AA	11 - 6
C249 1510	Online Key - CHN	11 - 15
C249 1900	Plotter Unit - A3	25 - *
C249 1950	Joint Pin	25 - 36
C249 1956	Upper Guide	25 - 1
C249 1961	Rear Spring	25 - 12
C249 1962	Front Spring	25 - 25
C249 1971	Decal - Left Hand	67 - 6
C249 1971	Decal - Left Hand	25 - 3
C249 1972	Decal - Right Hand	67 - 7

Part No.	Description	Page and Index No.
C249 1972	Decal - Right Hand	25 - 6
C249 1992	Spacer - Rear Right	57 - 17
C249 1993	Spacer - Front Left	57 - 25
C249 2010	Plotter Rear Plate	29 - 32
C249 2020	Plotter Front Plate	29 - 14
C249 2022	Cushion Sheet	29 - 18
C249 2024	Plotter Base	29 - 17
C249 2025	Plotter Base 2	29 - 29
C249 2026	Thermal Head Base	27 - 36
C249 2027	Long Seal	29 - 28
C249 2028	Short Seal	29 - 27
C249 2030	Rear Plate	25 - 27
C249 2036	Release Lever	25 - 30
C249 2040	Front Plate	25 - 19
C249 2042	Roller Lock	25 - 26
C249 2043	Spring	29 - 36
C249 2045	Plotter Cover	25 - 7
C249 2046	Guide Plate Ass'y	25 - 8
C249 2047	Guide Plate	25 - 50
C249 2048	Guide Sheet	25 - 9
C249 2049	Antistatic Brush - 138mm	25 - 2
C249 2053	Transport Sheet	25 - 48
C249 2063	Brake Roller Lever	27 - 16
C249 2076	Brake Roller	27 - 17
C249 2082	Lower Brake Guide	29 - 2
C249 2084	Lower Brake Guide Sheet	29 - 3
C249 2085	Upper Brake Guide	29 - 1
C249 2094	Thermal Head Guide	27 - 42
C249 2095	Master Guide Plate	27 - 43
C249 2098	Decal - Master Set Position	25 - 44
C249 2104	Platen Roller - A3	25 - 22
C249 2107	Lower Cover Ass'y	25 - 31
C249 2110	Tension Roller - A3	25 - 23
C249 2114	Tension Gear - Torque Limiter	25 - 14
C249 2117	Lower Tension Roller	27 - 22

Part No.	Description	Page and Index No.
C249 2121	T/H Release Ass'y	27 - 14
C249 2122	T/H Release Arm	27 - 10
C249 2123	T/H Release Plate	27 - 13
C249 2129	Sensor Bracket	27 - 3
C249 2131	T/H Release Shaft	27 - 7
C249 2132	Idle Gear	27 - 11
C249 2133	T/H Release Feeler	27 - 6
C249 2135	T/H Release Cam	27 - 8
C249 2136	Decal - Master Jam	25 - 41
C249 2137	Screw - M3x6	27 - 45
C249 2145	Platen Clutch Gear	25 - 16
C249 2146	Platen Gear	25 - 17
C249 2147	Idle Gear	25 - 15
C249 2148	Upper Brake Gear	27 - 31
C249 2149	Idle Gear	27 - 32
C249 2150	First Idle Gear	27 - 35
C249 2151	Thermal Head - A3	27 - 37
C249 2157	Spring:Thermal Head	27 - 38
C249 2160	Rear Rail Bracket	29 - 37
C249 2161	Outside Rail	57 - 18
C249 2162	Inside Rail	57 - 24
C249 2163	Plotter Slide Rail	29 - 16
C249 2170	Front Rail Bracket	29 - 15
C249 2177	Plotter Rear Cover	25 - 38
C249 2178	Plotter Fornt Cover	25 - 33
C249 2181	Upper Brake Roller	27 - 15
C249 2188	Lower Master Tray	29 - 38
C249 2200	Blade Magnet	27 - 52
C249 2212	Small Master Guide	29 - 7
C249 2215	Sensor Sheet	25 - 45
C249 2217	Plate Guide	25 - 49
C249 2221	Duct Guide Plate Ass'y	27 - 29
C249 2224	Guide Plate Gear	27 - 49
C249 2225	Right Blind Sheet	29 - 39
C249 2226	Left Blind Sheet	29 - 40

Part No.	Description	Page and Index No.
C249 2230	Brake Shoe	29 - 30
C249 2235	Lower Duct	29 - 13
C249 2238	Upper Duct	29 - 10
C249 2239	Fan Plate	29 - 5
C249 2243	Duct Filter	29 - 8
C249 2244	Lower Tray Grip	29 - 25
C249 2246	Tray Sheet	29 - 23
C249 2247	Tray Magnetic	27 - 53
C249 2247	Tray Magnetic	29 - 24
C249 2249	Duct Sheet	29 - 22
C249 2251	Duct Guide Shaft	27 - 25
C249 2252	Duct Guide Sheet	27 - 27
C249 2255	Idle Gear 1	27 - 47
C249 2256	Sensor Bracket	29 - 34
C249 2257	Idle Gear 2	27 - 48
C249 2270	Cutter Unit Ass'y	25 - 42
C249 2277	Sensor Bracket	25 - 5
C249 2277	Sensor Bracket	27 - 40
C249 2281	Antistatic Brush - 320mm	27 - 41
C249 2281	Antistatic Brush - 320mm	29 - 6
C249 2283	Blade Sheet	27 - 23
C249 2284	Blade Ass'y	27 - 24
C249 2285	Antistatic Brush - 230mm	25 - 10
C249 2286	Antistatic Brush - 82mm	25 - 11
C249 2288	Front Guide Arm	27 - 26
C249 2289	Rear Guide Arm	27 - 28
C249 2290	Master Set Roller	25 - 21
C249 2291	Master Set Gear	25 - 18
C249 2292	Sheet - Cutter Unit	25 - 43
C249 2293	Master Flange - MM52 (NA/EU/AA)	69 - 1
C249 2294	Master Flange - Mm57 (STD/CHN)	69 - 1
C249 2297	Blade Sheet	27 - 54
C249 2298	Antistatic Brush - 103mm	27 - 51
C249 2299	Antistatic Brush - 15mm	27 - 50
C249 2305	Clamper Ass'y	37 - 1

Part No.	Description	Page and Index No.
C249 2325	Ink Roller Ass'y	39 - *
C249 2334	Idling Roller	39 - 39
C249 2335	Rear Arm	39 - 41
C249 2336	Front Arm	39 - 37
C249 2360	Front Drum Flange - A3	37 - 8
C249 2362	Rear Drum Flange - A3	37 - 10
C249 2381	A3 Cloth Screen	35 - 1
C249 2407	Clamper Exit Pawls	37 - 2
C249 2416	Small Magnet	37 - 28
C249 2455	Rear Side Plate - Drum	39 - 15
C249 2457	Front Side Plate - Drum	39 - 20
C249 2472	Ink Sensor	39 - 9
C249 2538	Connector Bracket	33 - 33
C249 2571	Drum Stopper	37 - 23
C249 2580	Metal Screen - A3	37 - 20
C249 2582	Metal Screen Sheet	37 - 21
C249 2583	Long Sheet	37 - 27
C249 2584	Front L Seal	37 - 31
C249 2585	Rear L Seal	37 - 30
C249 2611	Connector Bracket	53 - 10
C249 2655	Ink Holder - 600ml EXP (NA/EU/AA)	33 - 38
C249 2658	Ink Holder - 600ml CHN/STD	33 - 38
C249 2670	Clamper Holder	37 - 7
C249 2675	Front Sheet	37 - 25
C249 2676	Rear Sheet	37 - 26
C249 2678	Master Sensor Sheet	37 - 29
C249 2680	Spring	39 - 38
C249 2681	Idling Shaft	39 - 49
C249 2682	Idling Cam	39 - 36
C249 2683	Sensor Feeler	39 - 50
C249 2690	Motor Bracket	39 - 44
C249 2691	Shaft	39 - 47
C249 2692	Sensor Bracket	39 - 52
C249 2700	Paper Tray Ass'y	19 - 21
C249 2793	Paper Tray Harness Stay	19 - 8

Part No.	Description	Page and Index No.
C249 2901	Registration Pressure Spring	21 - 9
C249 2904	Registration Roller	21 - 15
C249 2940	Decal - Paper Pressure- CHN	67 - 9
C249 2940	Decal - Paper Pressure- CHN	29 - 26
C249 2942	Decal - Paper Pressure - NA/EU/AA	67 - 9
C249 2942	Decal - Paper Pressure - NA/EU/AA	29 - 26
C249 2944	Table Sheet	19 - 47
C249 2949	Paper Tray	19 - 9
C249 2957	Sensor Cover	19 - 7
C249 2958	Sensor Bracket	23 - 39
C249 2986	Sensor Bracket	19 - 15
C249 2993	Harness Bracket	23 - 27
C249 3050	Pressure Roller	31 - 14
C249 3110	Front Pressure Arm	31 - 16
C249 3113	Rear Pressure Arm	31 - 17
C249 3145	Pressure Spring	31 - 13
C249 3150	Pressure Change Gear	31 - 42
C249 3151	Pressure Change Bracket	31 - 45
C249 3155	Pressure Change Shaft	31 - 51
C249 3156	Pressure Change Arm	31 - 50
C249 3157	Pressure Change Spring	31 - 44
C249 3158	Sensor Bracket	31 - 41
C249 3159	Sensor Feeler	31 - 43
C249 3160	Motor Bracket	31 - 46
C249 3400	Master Eject Unit	45 - *
C249 3441	Large Roller Guide	45 - 62
C249 3447	Small Roller Guide	45 - 61
C249 3448	Roller Guide	45 - 60
C249 3454	Master Eject Unit Base	45 - 20
C249 3462	Master Eject Stay	45 - 10
C249 3463	Air Knife Bracket	45 - 26
C249 3466	Lower Eject Roller Unit	45 - 19
C249 3468	Upper Eject Roller	45 - 18
C249 3473	Pressure Plate	45 - 14
C249 3482	Large Cover	45 - 67

Part No.	Description	Page and Index No.
C249 3483	Small Cover	45 - 68
C249 3484	Spring - 6.9n	45 - 30
C249 3485	Sensor Bracket	45 - 11
C249 3487	Box Lever	45 - 54
C249 3489	Spring Plate	45 - 56
C249 3490	Eject Box Ass'y	45 - 4
C249 3491	Box Stay	45 - 55
C249 3492	Spring Plate	45 - 63
C249 3498	Cover:Master:Master Ejection:Large:Front	45 - 66
C249 3499	Cover:Master:Master Ejection:Small:Front	45 - 65
C249 3500	Connector Bracket	51 - 15
C249 3510	Rear Holder	45 - 15
C249 3511	Front Holder	45 - 9
C249 3512	Large Claw Ass'y	45 - 59
C249 3513	Small Claw Ass'y	45 - 58
C249 3600	Decal - Master Ejection	45 - 1
C249 3600	Decal - Master Ejection	67 - 13
C249 3800	Paper Delivery Unit (NA/EU/AA)	41 - *
C249 3874	Transport Belt -478	41 - 3
C249 3885	Antistatic Brush - Long	57 - 6
C249 3886	Antistatic Brush - Short	57 - 4
C249 3894	Sheet:Short:Hale Unit	41 - 17
C249 3895	Sheet:Long:Hale Unit	41 - 18
C249 4010	Clamp Drive Unit	49 - 17
C249 4205	Paper Exit Table (NA/EU/AA)	43 - *
C249 4206	Paper Exit Table - CHN	43 - *
C249 4350	Air Knife Duct	45 - 23
C249 4352	Air Knife Cover	45 - 57
C249 4355	Piston Ass'y	47 - 2
C249 4360	Air Knife Guide	45 - 64
C249 4460	Front Upper Sheet	43 - 42
C249 4461	Rear Uppersheet	43 - 43
C249 4462	Front Fence Guide	43 - 44
C249 4463	Rear Fence Guide	43 - 45
C249 5114	Main Firmware	51 - 13

Part No.	Description	Page and Index No.
C249 5120	MPU - EXP	63 - *
C249 5120	MPU - EXP	51 - 1
C249 5124	I/O Rom	51 - 22
C249 5124	I/O ROM	63 - 1
C249 5150	Motoro Control Board	51 - 21
C249 5181	Left Panel Board	11 - 28
C249 5183	Right Panel Board	11 - 31
C249 5193	Center Panel Board	11 - 29
C249 5194	LCD Stand	11 - 27
C249 5195	Panel LCD	11 - 26
C249 5199	Flat Harness	11 - 25
C249 5200	DC Harness	53 - 8
C249 5200	DC Harness	11 - 30
C249 5200	DC Harness	51 - 9
C249 5200	DC Harness	31 - 15
C249 5205	Main Switch Harness	51 - 11
C249 5205	Main Switch Harness	53 - 14
C249 5210	Plotter Relay Harness	51 - 10
C249 5210	Plotter Relay Harness	31 - 40
C249 5210	Plotter Relay Harness	23 - 26
C249 5215	Drum Relay Harness	53 - 9
C249 5220	Scanner Harness	15 - 10
C249 5236	Paper Tray Relay Harness	19 - 17
C249 5237	Paper Tray Relay Harness	19 - 10
C249 5244	Relay Harness	25 - 47
C249 5246	Plotter Drive Harness	29 - 19
C249 5247	Thermal Head Data Harness	29 - 21
C249 5248	Plotter Input Harness	29 - 20
C249 5248	Plotter Input Harness	27 - 1
C249 5249	Relay Harness - Switch	29 - 11
C249 5250	Drum Harness	33 - 34
C249 5253	Motor Relay Harness	39 - 55
C249 5253	Motor Relay Harness	33 - 39
C249 5254	Sensor Relay Harness	39 - 56
C249 5254	Sensor Relay Harness	33 - 40

Part No.	Description	Page and Index No.
C249 5280	Master Eject Relay Harness	45 - 41
C249 5399	Flat Cable Harness	55 - 4
C249 5415	Interface Harness	55 - 3
C249 5601	Main Board Bracket	51 - 2
C249 5632	I/F Bracket	51 - 3
C249 5634	Board Bracket	51 - 25
C249 5646	Plate	55 - 7
C249 5654	Left Stand	55 - 12
C249 5655	Upper Right Stand	55 - 13
C249 5656	Lower Right Stand	55 - 16
C249 5659	Stud	55 - 10
C249 5660	Decal - Master Set	9 - 12
C249 5660	Decal - Master Set	67 - 14
C249 5825	Optics Sensor	29 - 9
C249 5825	Optics Sensor	23 - 38
C249 5825	Optics Sensor	25 - 4
C249 5825	Optics Sensor	27 - 39
C249 5830	Vacuum Fan Motor - 24V	25 - 46
C249 5830	Vacuum Fan Motor - 24V	29 - 4
C249 8600	Operating Instructions - EU:ENG	67 - 3
C249 8606	Operating Instructions - RIC:CHN	67 - 3
C249 8686	Operating Instructions - GES:CHN	67 - 3
C249 8690	Operating Instructions - NRG:EU:ENG	67 - 3
C249 8697	Operating Instructions - English (NA)	67 - 3
C249 8698	Operating Instructions - STD:English	67 - 3

Part No.	Description	Page and Index No.
A006 9104	Adjusting Scanner Pin (4PCS/Set)	69 - 2
A100 1714	Reflector	15 - 15
A193 1752	White Sheet	13 - 11
A193 1759	Stepped Screw	13 - 7
A193 1766	Wire Clamp	15 - 4
A193 1767	1st Mirror Holder	15 - 7
A193 1769	Clamp - Rear Wire	15 - 6
A193 1783	Tension Spring	17 - 3
A193 1816	1st Slide Rail	17 - 7
A193 1829	Ball Bearing - M8	17 - 16
A232 5355	IC - GATEX	63 - 2
A250 1752	Exposure Glass	13 - 9
A250 1784	1st Mirror	15 - 8
A250 5501	IC - G8 HG71C106FL	63 - 3
A250 5736	Lamp Stabilizer	15 - 14
A267 1089	Grounding Plate - Upper Rear	23 - 28
A267 1089	Grounding Plate - Upper Rear	57 - 9
A267 1671	Carriage - No.2 Ass'y	17 - 11
A267 1752	1st Scanner Housing	15 - 5
A267 1758	Harness Guide - Exposure Lamp	15 - 2
A267 1776	Guide - FPC	17 - 9
A267 1777	Mirror Holder	17 - 8
A267 1811	Front Stay Bracket	17 - 1
A267 1812	Rear Stay Bracket	17 - 24
A267 1813	Scanner Frame	13 - 2
A267 1814	Hinge Bracket - Platen Cover	13 - 1
A267 1815	Right Inner Cover	13 - 10
A267 1816	Guide - Flexible Board	17 - 15
A267 1817	Slide Rail - 2	17 - 6
A267 1819	Insulating Sheet - Side Plate	17 - 14
A267 1820	Sheet - Photointerrupter	13 - 12
A267 1825	Scanner Drive Shaft	17 - 19
A267 1846	Idler Bracket	17 - 4
A267 1849	Tension Bracket	17 - 2
A267 1853	Pulley - Front Left	17 - 5

Part No.	Description	Page and Index No.
A267 1854	Pulley - Rear Left	17 - 13
A267 5703	Flexible Cable	15 - 3
B004 5260	IC - VIPU_S KS5M9U1198CFP	63 - 4
B024 1251	Upper Rear Cover - Scanner	9 - 11
B024 1680	Left Scale	13 - 6
B024 1701	Inner Back Scale	13 - 8
B027 1742	Bracket:Scale:Ass'y	13 - 5
C200 4748	Gear - 45T	39 - 25
C200 4814	Bushing - 6x10x55mm	33 - 10
C201 4604	Drum Rail Roller	35 - 15
C201 4665	Bearing Holder	21 - 13
C201 4665	Bearing Holder	39 - 16
C201 5015	Seal - M10	19 - 19
C201 5051	Pinion - 24t	21 - 17
C201 5134	Bearing Holder	47 - 23
C203 5135	Bushing - 10x14x5.9	21 - 28
C203 8137	Master Sensor	45 - 25
C207 4672	Gear - 36Z	39 - 18
C209 3133	Retaining Ring - M6	23 - 33
C209 4711	Hose Band	47 - 8
C209 4711	Hose Band	39 - 30
C209 4713	Hose Band	39 - 7
C209 4713	Hose Band	33 - 13
C209 5220	Spacer - 4x20x6	23 - 7
C209 6168	End Fence Washer	19 - 31
C209 8288	Table Down Switch	53 - 11
C213 6041	O-ring - 33.7	47 - 26
C213 6043	Air Pump Cylinder	47 - 6
C217 4426	Shoulder Screw	43 - 35
C217 4426	Shoulder Screw	49 - 20
C217 5102	Spring Washer	25 - 13
C217 5102	Spring Washer	33 - 5
C217 8446	Photointerruptor - Master Eject	45 - 12
C218 3039	Flat Cable Clamp	55 - 17
C227 6156	Upper Guide Shaft	43 - 5

Part No.	Description	Page and Index No.
C229 1071	Grip Plate - Short	51 - 8
C229 1071	Grip Plate - Short	57 - 20
C229 1072	Grip Guide Bracket	51 - 7
C229 1145	Belt Tension Roller	47 - 16
C229 1994	Middle Rail Stopper Ass'y	25 - 32
C229 2006	Bushing	27 - 20
C229 2163	Spring	27 - 21
C229 2390	Stepped Screw	35 - 5
C229 2391	Stopper Bracket	35 - 12
C229 2392	Stopper Guide	35 - 13
C229 2394	Spring Plate	35 - 7
C229 2396	Spring Plate	35 - 14
C229 2525	Bushing - Pump Drive Gear	33 - 36
C229 2544	Ink Roller Ring	39 - 22
C229 2590	Shift Motor Cover	39 - 42
C229 2615	Slide Rail Roller	31 - 6
C229 2633	Stepped Screw	53 - 19
C229 2838	Pick-up Roller Shaft	23 - 19
C229 2840	Pad	19 - 20
C229 2907	Registration Roller Pulley - 14z	21 - 14
C229 2946	Motor Pulley	49 - 2
C229 2947	Drive Pulley - Paper Separation	23 - 20
C229 2949	Timing Belt - 75-MXL-64	23 - 21
C229 3557	Gear - 17Z	45 - 48
C229 4376	End Fence Cushion	43 - 29
C229 5803	DC Motor - 50W	45 - 37
C229 5804	DC Motor - 20W	39 - 43
C229 5807	Photosensor - GP2A25	21 - 6
C229 5811	DC Motor - 50W	45 - 27
C229 5814	DC Motor - 24V	53 - 6
C229 5820	DC Motor - 20W	27 - 12
C231 2135	Platen Gear - 2	27 - 33
C231 2234	Brake Pad	29 - 31
C231 2397	Left Collar	39 - 23
C231 2766	Pressure Pin	21 - 3

Part No.	Description	Page and Index No.
C231 2965	Core	19 - 45
C231 2971	Lock Cam	19 - 41
C231 2976	Washer	19 - 38
C231 2985	Spring	19 - 30
C231 2990	Magnet Catch Holder	19 - 23
C231 3479	Spring Plate	45 - 6
C231 3486	Bushing	45 - 29
C231 3489	Lower Roller Gear	45 - 28
C231 3493	Coupled Gear - Large	45 - 33
C231 3494	Gear - Lower Roller	45 - 40
C231 3513	Stepped Screw	45 - 3
C231 4409	Support Plate	43 - 37
C231 4410	End Plate Bracket	43 - 24
C231 4413	Delivery Table Spring	43 - 15
C231 4415	Upper Side Fence Pin	43 - 19
C231 4420	Slider Spring Plate	43 - 11
C231 4425	End Plate Sheet	43 - 25
C231 5880	Air Knife Fan	41 - 11
C231 5890	Main Motor - DC24V	47 - 11
C232 5351	Connector - 68POLE	63 - 5
C233 4399	Delivery Table Front Stay	43 - 33
C233 4400	Delivery Table Rear Stay	43 - 32
C233 4405	Antistatic Brush	43 - 26
C233 4409	Base Spacer - Paper Exit Sub-unit	43 - 41
C233 4414	Pin - Lower Side Fence	43 - 8
C233 4418	Link Spring Plate	43 - 6
C233 4424	Pin - Lower End Fence	43 - 34
C233 4426	Front Exit Guide	43 - 10
C233 4427	Rear Exit Guide	43 - 3
C233 4430	Antistatic Brush	43 - 21
C236 1655	Carriage No.1 Ass'y	15 - 13
C236 1672	Xenon Lamp - 10	15 - 1
C236 1673	Lens Ass'y	15 - 11
C236 1719	Ground Plate - Scanner Unit	15 - 9
C236 1812	Pulley - Slow Down Ass'y	17 - 26

Part No.	Description	Page and Index No.
C236 1815	Stepper Motor Base	17 - 28
C236 1816	Tension Spring 8215mn	17 - 23
C236 1817	Motor Bracket	17 - 25
C236 1821	Timing Belt - B60S2M140	17 - 27
C236 1822	Timing Belt - B60S2M186	17 - 20
C236 1825	Stepper Motor - Ass'y - DC 7.8W	17 - 22
C236 1829	Slow Down Flange - MM15	17 - 29
C236 2564	Worm Wheel Gear	39 - 45
C236 2565	Ink Middle Gear	27 - 9
C236 2565	Ink Middle Gear	39 - 46
C236 2566	Return Gear	39 - 48
C236 2576	Blade Bracket	39 - 40
C236 2844	Stepped Screw (CHN)	21 - 31
C236 5209	SBU Harness	15 - 12
C236 5274	ADF Relay Harness	51 - 14
C236 5353	IC - GATC LC27047C-RJ0	63 - 6
C237 3505	Pin 3x16	45 - 47
C237 3523	Pin - Pressure Plate	45 - 52
C237 3524	Pressure Spring	45 - 17
C237 3525	Spring	45 - 16
C237 3571	Master Pick-off Pawl	45 - 36
C237 3573	Spring	45 - 46
C237 3575	Master Pick-off Pawl Shaft	45 - 45
C237 3576	Separation Plate Cushion	45 - 22
C237 3684	Gear - Pressure Plate	45 - 44
C237 5471	Total Counter - 6fig	53 - 17
C237 5472	Total Counter - 7fig	53 - 18
C238 1057	Rubber Foot	57 - 22
C238 1068	Front Grip Plate	57 - 21
C238 1070	Rack Guide	57 - 19
C238 1151	Main Motor Bracket	47 - 12
C238 1152	Main Motor Gear	47 - 13
C238 1154	Lower Drum Drive Plate	47 - 14
C238 1156	Belt Tensioner	47 - 15
C238 1169	Upper Drum Drive Plate	47 - 22

Part No.	Description	Page and Index No.
C238 1172	Main Belt - 150S3M588	47 - 17
C238 1176	Clutch Gear	47 - 19
C238 1177	Roller Bracket	47 - 18
C238 1181	Air Pump Bracket	47 - 7
C238 1186	Piston Gear	47 - 1
C238 1241	Rear Scanner Cover	9 - 19
C238 1242	Left Scanner Cover	9 - 10
C238 1265	Front Cover	9 - 4
C238 1290	Door Cover	9 - 5
C238 1291	Safe Switch Bracket	9 - 2
C238 1301	Operation Sheet	9 - 3
C238 1301	Operation Sheet	67 - 1
C238 1312	Decal - Exit Pawl	9 - 8
C238 1312	Decal - Exit Pawl	67 - 2
C238 1314	Decal - Main Switch - CHN	9 - 20
C238 1339	Key Counter Plate Nut	53 - 1
C238 1352	Decal - Paper Table	9 - 15
C238 1352	Decal - Paper Table	67 - 5
C238 1359	Decal - Paper Table	9 - 22
C238 1361	Rear Cover Ass'y - Right	9 - 16
C238 1363	Control Unit Cap	9 - 21
C238 1364	Control Board Cap	9 - 14
C238 1365	Card Cap	9 - 13
C238 1377	Connector Bracket	51 - 19
C238 1385	Scanner Cover Bracket	9 - 18
C238 1386	Front Cover Bracket1 - Upper	57 - 15
C238 1387	Front Cover Bracket2 - Upper	53 - 12
C238 1388	Front Cover Bracket3 - Upper	53 - 13
C238 1389	Rear Cover Bracket - Lower	51 - 20
C238 1390	Upper Hinge	9 - 9
C238 1391	Lower Hinge	9 - 7
C238 1395	Middle Upper Bracket - DOM	51 - 6
C238 1396	Rear Cover Bracket - Right Upper	51 - 4
C238 1398	Rear Cover Bracket - Left Upper	51 - 24
C238 1399	Rear Cover Bracket - Middle Lower	47 - 21

Part No.	Description	Page and Index No.
C238 1955	Joint Shaft	25 - 34
C238 1958	MPU Bracket	51 - 5
C238 1990	Right Scanner Stay	57 - 13
C238 1995	Plotter Stay - Shaft	31 - 9
C238 1996	Cover	57 - 14
C238 1998	Left Scanner Stay	57 - 8
C238 2037	Lever Knob	25 - 29
C238 2039	Lever Spring	25 - 28
C238 2065	Brake Roller Spring	27 - 19
C238 2078	Brake Roller Shoe	27 - 18
C238 2106	Ball Bearing - 6x13x5mm	25 - 20
C238 2132	Plotter Cover	25 - 40
C238 2133	Platen Gear - 1	27 - 34
C238 2211	Rear Master Holder - A3	25 - 37
C238 2221	Front Master Holder - A3	25 - 35
C238 2273	Cover Sensor Bracket	27 - 44
C238 2368	Drum Drive Gear	37 - 11
C238 2369	Ink Roller Drive Gear	37 - 16
C238 2371	Spacer	37 - 17
C238 2375	Drum Position Plate - Large	37 - 15
C238 2388	Screen Holder 1	35 - 6
C238 2389	Screen Holder 2	35 - 4
C238 2395	Holder	37 - 13
C238 2396	Stopper	37 - 12
C238 2406	Clamper Shaft	37 - 5
C238 2410	Clamper Rear Spring	37 - 6
C238 2411	Clamper Front Spring	37 - 9
C238 2412	Clamper Cam	37 - 19
C238 2413	Sheet:Sensor:Trailing Edge:Screen	37 - 18
C238 2427	Slider:Drive:Pump	33 - 37
C238 2438	Retainer:Bushing:Auxiliary	33 - 16
C238 2447	Rear Ink Blade	39 - 28
C238 2448	Front Ink Blade	39 - 27
C238 2450	Ink Roller - A3	39 - 12
C238 2454	Doctor Roller - A3	39 - 13

Part No.	Description	Page and Index No.
C238 2460	Ink Roller Drive Gear	39 - 34
C238 2463	Drum Main Stay - A3	39 - 11
C238 2465	Drum Stay Shaft	39 - 14
C238 2466	Pipe Bracket	39 - 2
C238 2467	Ink Pipe	39 - 1
C238 2468	Ground Plate	39 - 4
C238 2469	Doctor Roller Drive Gear	39 - 29
C238 2470	Ink Sensor Bracket	39 - 10
C238 2475	Drum Shaft Ass'y - A3	39 - 8
C238 2476	Ink Tube	39 - 3
C238 2483	Side Plate	39 - 5
C238 2485	Drum Shaft Joint	39 - 31
C238 2487	Front Shaft Collar	39 - 21
C238 2488	Rubber Bushing	39 - 33
C238 2489	Rubber Bushing Plate	39 - 32
C238 2490	Rear Bank Plate	39 - 19
C238 2493	Front Bank Plate	39 - 17
C238 2507	Drum Frame Ass'y	35 - 2
C238 2510	Right Arm	33 - 23
C238 2511	Left Arm	33 - 24
C238 2512	Lower Drum Grip	33 - 27
C238 2513	Arm Shaft	33 - 25
C238 2514	Grip Bracket	33 - 26
C238 2524	Left Drum Grip	35 - 9
C238 2525	Right Drum Grip	35 - 10
C238 2526	Ink Holder Cam	33 - 32
C238 2532	Pump Motor Bracket	33 - 17
C238 2534	Pump Drive Gear	33 - 7
C238 2535	Pump Drive Relay Gear	33 - 11
C238 2536	Pump Motor Gear	33 - 12
C238 2541	Harness Cover	33 - 30
C238 2546	Ink Holder Spring	33 - 4
C238 2547	Board Cover	33 - 22
C238 2549	Board Bracket	33 - 20
C238 2552	Drum Grip	35 - 8

Part No.	Description	Page and Index No.
C238 2553	Decal - Drum	67 - 8
C238 2553	Decal - Drum	35 - 3
C238 2555	Rear Drum Side Plate	37 - 14
C238 2556	Left Shaft - Holder	33 - 2
C238 2557	Right Shaft - Holder	33 - 35
C238 2559	Ink Holder Grip	33 - 3
C238 2562	Motor Cover	33 - 28
C238 2570	Stopper Bracket	37 - 24
C238 2572	Stopper Spring	37 - 22
C238 2573	Stepped Screw	33 - 6
C238 2574	Slider	33 - 1
C238 2585	Screw Mm6x1.7	39 - 35
C238 2585	Screw Mm6x1.7	37 - 3
C238 2585	Screw Mm6x1.7	35 - 11
C238 2601	Drum Stay	31 - 7
C238 2605	Drum Position Pin - Left	31 - 30
C238 2607	Drum Position Pin - Right	31 - 28
C238 2619	Front Drum Side Plate - DOM	37 - 4
C238 2619	Front Drum Side Plate - DOM	33 - 31
C238 2621	Pump Slider Bracket - DOM	33 - 9
C238 2628	Ink Pump - 1000	33 - 8
C238 2633	Ink Tube - 1000	33 - 14
C238 2643	Tube Joint	33 - 15
C238 2648	Pump Cover - 1000	33 - 29
C238 2779	Paper Tray Spring	19 - 2
C238 2781	Paper Tray Shaft	21 - 16
C238 2785	Tray Motor Bracket	53 - 7
C238 2790	Front Tray Rack	19 - 6
C238 2796	Rear Tray Rack	19 - 11
C238 2800	Tray Lift Bracket	19 - 3
C238 2805	Tray Lift Slider	19 - 4
C238 2806	Tray Position Feeler	19 - 12
C238 2825	Sensor Bracket	19 - 14
C238 2832	Feed Arm	23 - 16
C238 2835	Paper Feed Roller	23 - 15

Part No.	Description	Page and Index No.
C238 2839	Feed Drive Shaft	23 - 18
C238 2842	Spacer	23 - 17
C238 2845	Separation Pad	21 - 21
C238 2849	Tension Spring - 18n	49 - 4
C238 2851	Arm Stopper	23 - 30
C238 2853	Sensor Cleaning Spring (CHN)	21 - 32
C238 2855	Sensor Cleaning Lever (CHN)	21 - 29
C238 2856	Sensor Cleaning Brush (CHN)	21 - 30
C238 2864	Paper Sensor Roller	23 - 34
C238 2865	Retainer	23 - 3
C238 2867	Paper Sensor Bracket	23 - 4
C238 2868	Paper Actuator	23 - 2
C238 2871	Paper Separation Stay	21 - 22
C238 2873	Adjusting Screw	21 - 24
C238 2874	Screw Holder	21 - 23
C238 2875	Separation Adjuster	21 - 18
C238 2877	Separation Spring Holder	21 - 19
C238 2878	Separation Spring	21 - 20
C238 2887	Front Guide Plate Bracket	21 - 11
C238 2889	Rear Guide Plate Bracket	21 - 12
C238 2891	Upper Registration Roller Ass'y	21 - 27
C238 2893	Upper Registration Arm	21 - 5
C238 2894	Upper Registration Roller	21 - 1
C238 2898	Upper Registration Shaft1	21 - 2
C238 2900	Upper Registration Shaft2	21 - 4
C238 2905	Timing Belt - 110-XL-050	49 - 22
C238 2909	Guide Plate	21 - 10
C238 2915	Guide Plate Sheet	21 - 26
C238 2921	Registration Sensor Bracket	21 - 7
C238 2922	Registration Roller Follower	21 - 8
C238 2928	Paper Pressure Lever	23 - 6
C238 2929	Spring Plate	23 - 9
C238 2931	Paper Pressure Arm	23 - 10
C238 2932	Lever Knob	23 - 14
C238 2935	Paper Pressure Roller	23 - 12

Part No.	Description	Page and Index No.
C238 2936	Arm Bracket	23 - 11
C238 2939	Spring	23 - 8
C238 2946	Paper Feed Drive Gear	23 - 22
C238 2947	Pick-up Pully	23 - 23
C238 2948	Timing Belt - 140-XL-050	49 - 5
C238 2951	Front Stay	19 - 33
C238 2952	Rear Stay	19 - 24
C238 2955	Traybase	19 - 37
C238 2956	Tray Cover	19 - 5
C238 2960	Front Arm	19 - 36
C238 2961	Rear Arm	19 - 35
C238 2964	Tray Adjuster	19 - 25
C238 2970	Lock Shaft	19 - 32
C238 2973	Lock Knob	19 - 26
C238 2976	Front Side Fence Rack	19 - 27
C238 2980	Side Fence	19 - 18
C238 2981	Rear Side Fence Rack	19 - 34
C238 2983	Side Fence Spacer	19 - 28
C238 2985	Sensor Bracket - Paper End	19 - 46
C238 2987	Side Fence Gear	19 - 29
C238 2992	Stay:Paper Feed	23 - 13
C238 2996	Decal - Paper Set	19 - 42
C238 2996	Decal - Paper Set	67 - 10
C238 2997	Decal - Scale	19 - 40
C238 2997	Decal - Scale	67 - 11
C238 2998	Decal - Paper Size	19 - 1
C238 2998	Decal - Paper Size	67 - 12
C238 2999	Harness Cover	23 - 29
C238 3100	Front Pressure Shaft	31 - 29
C238 3103	Rear Pressure Shaft	31 - 26
C238 3116	Stopper Bracket	31 - 19
C238 3117	Pressure Roller Stopper	31 - 18
C238 3120	Front Spring Anchor	31 - 32
C238 3123	Rear Spring Anchor	31 - 21
C238 3126	Pressure Spring Screw	31 - 12

Part No.	Description	Page and Index No.
C238 3127	Pressure Spring Nut	31 - 10
C238 3130	Front Solenoid Ass'y	31 - 33
C238 3131	Front Solenoid Bracket	31 - 35
C238 3134	Rear Solenoid Ass'y	31 - 25
C238 3135	Rear Solenoid Bracket	31 - 24
C238 3137	Solenoid Spring	31 - 23
C238 3154	Rear Release Plate	31 - 22
C238 3155	Front Release Plate	31 - 34
C238 3451	Front Side Plate	45 - 49
C238 3454	Rear Side Plate	45 - 50
C238 3464	Motor Cover	45 - 51
C238 3469	Belet Gear	45 - 39
C238 3470	Timing Belt - S2M:66Z	45 - 32
C238 3472	Position Feeler	45 - 34
C238 3474	Pressure Shaft	45 - 13
C238 3475	Pressure Guide Plate	45 - 7
C238 3477	Eject Box Cover	45 - 2
C238 3481	Master Eject Cover	45 - 5
C238 3484	Push Switchcover	45 - 53
C238 3485	Front Spring Bracket	45 - 31
C238 3486	Rear Spring Bracket	45 - 38
C238 3518	First Gear	45 - 43
C238 3519	Second Gear	45 - 42
C238 3531	Eject Slide Rail - Rear	57 - 23
C238 3532	Eject Slide Rail - Front	57 - 11
C238 3551	Eject Unit Stay	57 - 12
C238 3556	Torque Limiter - 2500G	45 - 8
C238 3801	Paper Delivery Stay	57 - 5
C238 3803	Delivery Unit - China	41 - *
C238 3852	Fan Bracket	41 - 10
C238 3855	Guide Plate	41 - 6
C238 3857	Motor Bracket	41 - 12
C238 3858	Air Reduction Sheet	41 - 19
C238 3861	Delivery Duct	41 - 9
C238 3866	Front Adjust Plate	57 - 3

Part No.	Description	Page and Index No.
C238 3867	Rear Adjust Plate	57 - 2
C238 3875	Drive Gear	41 - 5
C238 3876	Drive Shaft	41 - 2
C238 3877	Driven Shaft	41 - 8
C238 3879	Timing Belt	41 - 4
C238 3881	Front Bracket	57 - 10
C238 3882	Rear Bracket	57 - 7
C238 3883	Lower Bracket	57 - 16
C238 3887	Anticlastic Brush - Long	57 - 1
C238 3889	Drive Roller	41 - 15
C238 3890	Drive Roller - Drum Side	41 - 7
C238 4000	Clamp Drive Base	49 - 10
C238 4051	Clamp Drive Rack	49 - 11
C238 4053	Rack Spacer	49 - 18
C238 4055	Master Clamp Lever	49 - 7
C238 4058	Master Clamp Guide	49 - 6
C238 4059	Eject Clamp Lever	49 - 8
C238 4061	Eject Clamp Guide	49 - 9
C238 4062	Rack Drive Gear	49 - 13
C238 4063	Slow Down Gear	49 - 12
C238 4064	Clamp Drive Side Plate	49 - 15
C238 4070	Eject Clamp Pusher	49 - 19
C238 4071	Sensor Guide	27 - 4
C238 4071	Sensor Guide	39 - 53
C238 4071	Sensor Guide	29 - 35
C238 4071	Sensor Guide	49 - 24
C238 4349	Spring	31 - 36
C238 4349	Spring	47 - 20
C238 4365	Exit Pawl	31 - 2
C238 4369	Exit Pawl Hose	47 - 9
C238 4390	Paper Exit Base	43 - 27
C238 4395	Front Lower Guide (NA/EU/AA)	43 - 30
C238 4396	Rear Lower Guide (NA/EU/AA)	43 - 20
C238 4397	Front Lower Guide - CHN	43 - 30
C238 4398	Rear Lower Guide - CHN	43 - 20

Part No.	Description	Page and Index No.
C238 4406	End Plate Knob	43 - 23
C238 4411	Front Side Fence	43 - 13
C238 4412	Rear Side Fence	43 - 1
C238 4413	Side Fence Base	43 - 14
C238 4415	Front Wing	43 - 9
C238 4416	Rear Wing	43 - 2
C238 4417	Wing Stopper	43 - 4
C238 4419	End Fence Ass'y	43 - 38
C238 4420	End Fence:Sub-ass'y	43 - 28
C238 4421	Slider Cover	43 - 12
C238 4422	End Fence Case	43 - 22
C238 4425	Wing Link	43 - 7
C238 4431	Front Table Hinge	43 - 17
C238 4432	Rear Table Hinge	43 - 31
C238 4440	Side Fence Spacer	43 - 40
C238 4441	Front Table Bracket	43 - 18
C238 4442	Rear Table Bracket	43 - 16
C238 4450	Hinge Screw	43 - 36
C238 4456	Slider Cover	43 - 39
C238 4479	Bushing	31 - 31
C238 4481	Exit Pawl Drive Arm1	31 - 3
C238 4482	Exit Pawl Shaft	31 - 1
C238 4485	Exit Pawl Drive Arm 3	31 - 5
C238 4493	Exit Pawl Drive Arm 2	31 - 4
C238 5145	Ink Board	33 - 21
C238 5155	Paper Size Sensor Board	19 - 44
C238 5212	Paper Sensor Harness	23 - 37
C238 5229	Drum Sensor Harness	31 - 27
C238 5252	Ink Sensor Harness	39 - 24
C238 5272	Paper Delivery Harness	41 - 13
C238 5275	Motor Relay Harness	41 - 16
C238 5300	DC Power Supply:Main:328W:CHN:Ass'y	51 - 12
C238 5310	DC Power Supply - 328W (NA/EU/AA)	51 - 12
C238 5609	Drum Sensor Bracket2	31 - 11
C238 5611	Drum Sensor Bracket1	31 - 20

Part No.	Description	Page and Index No.
C238 5613	Drum Sensor Bracket3	31 - 8
C238 5627	Insulating Sheet:Base:Power Supply Unit	51 - 23
C238 5630	Tape Marker Bracket	51 - 16
C238 5645	Safety Switch Lever	53 - 5
C238 5646	Safety Switch Spring Plate	53 - 4
C238 5650	Main Switch Bracket	53 - 15
C238 5651	Total Counter Bracket	53 - 16
C238 5670	Cord Bracket	51 - 17
C238 5685	Safety Switch Bracket	53 - 2
C238 5687	Heat Sink	63 - 7
C238 5729	Motor Bracket - Feed Roller	49 - 21
C238 5731	Feed Motor Bracket	49 - 3
C238 5801	Stepper Motor - DC 13.9W	49 - 1
C238 5803	DC Motor - 7.2W MM34	33 - 18
C238 5812	Stepper Motor	41 - 1
C238 5821	Power Supply Cord - 115V (NA)	51 - 18
C238 5822	Power Supply Cord - CHN	51 - 18
C238 5823	Power Supply Cord - 230V (EU/AA)	51 - 18
C238 5841	Stepper Motor - DC 4.4W	27 - 30
C247 2461	Adjusting Plate - Doctor Roller	39 - 26
C247 2468	Pipe Cover	39 - 54
C252 5145	IC:LC272C9BT-WA5	63 - 8
C252 5824	Fan:DC24V:0.66A	45 - 24
C403 1899	Rubber Bushing - M4	49 - 23
C607 5150	Vif Printed Circuit Board Ass'y	55 - 1
C608 1000	Optional Drum Case	69 - 4
C608 2561	Ink Holder - Color	33 - 38
C613 1005	Connecting Base	55 - 9
C613 1011	Panel	55 - 11
C613 5005	SIMM - 16MB	55 - 6
C613 5012	Flash Memory	55 - 2
C613 5297	Main Control Board	55 - 14
C613 5631	C/T Box	55 - 15
C613 5645	Shadeing Plate	55 - 8
C613 6036	Driver CD-ROM-CHN	55 - *

Part No.	Description	Page and Index No.
C613 8626	Operating Instructions - CHN	55 - *
C620 2381	Cloth Screen - A4	35 - 1
C620 2580	Metal Screen - A4	37 - 20
C620 2582	Metal Screen Sheet - A4	37 - 21
C620 2586	Drum Metal Screen Sheld - A4	37 - 32
H012 1181	Bushing- 6mm	25 - 24
H012 1181	Bushing- 6mm	27 - 5
H521 5010	Scanner Motor - ADF - DC 32W	27 - 46
H521 5010	Scanner Motor - ADF - DC 32W	31 - 47
H521 5010	Scanner Motor - ADF - DC 32W	49 - 16
H522 1100	Sensor Guide	31 - 49

Part No.	Description	Page and Index No.
N803 6701	Flash Memory Card-4MB	69 - 3

Part No.	Description	Page and Index No.
AA05 0107	Scanner Wire	17 - 17
AA06 3163	Connector Spring	23 - 25
AA14 3005	Stepped Screw - M4x2.5	53 - 20
AA14 3120	Stepped Screw - M3x3	23 - 24
AA14 3402	Screw - Scale	23 - 1
AB03 0630	Timing Pulley - 60T	17 - 12
AB03 2066	Front Pulley - Wire Drive	17 - 18
AB03 2067	Rear Pulley - Wire Drive	17 - 21
AC03 0123	3rd Mirror	17 - 10
AW01 0076	Photosensor - PS-117D1	41 - 14
AW01 0076	Photosensor - PS-117D1	19 - 16
AW01 0087	Photo Sensor - Ass'y	19 - 22
AW02 0075	Photointerruptor	23 - 5
AW02 0075	Photointerruptor	19 - 13
AW02 0075	Photointerruptor	27 - 2
AW02 0075	Photointerruptor	49 - 14
AW02 0075	Photointerruptor	29 - 33
AW02 0075	Photointerruptor	31 - 38
AW02 0075	Photointerruptor	45 - 35
AW02 0075	Photointerruptor	39 - 51
AW02 0086	Photointerruptor	13 - 4
AW10 0022	Optics Thermistor	39 - 6
AW50 0012	Push Switch	45 - 21
AW50 0012	Push Switch	29 - 12
AW50 0012	Push Switch	23 - 31

Part No.	Description	Page and Index No.
0242 0080B	Philips Pan Head Screw - M2 X 8	23 -115
0312 5050Z	Philips Pan Head Screw - M2.5x5	27 -108
0312 5050Z	Philips Pan Head Screw - M2.5x5	39 -114
0313 0040B	Philips Truss Head Screw - M3x4	25 -101
0313 0050B	Philips Pan Head Screw - M3x5	17 -104
0313 0350B	Philips Pan Head Screw - M3x35	53 -109
0314 0040B	Philips Pan Head Screw - M4x4	51 -101
0314 0040B	Philips Pan Head Screw - M4x4	19 -111
0314 0040B	Philips Pan Head Screw - M4x4	37 -104
0314 0040B	Philips Pan Head Screw - M4x4	49 -103
0314 0040B	Philips Pan Head Screw - M4x4	31 -109
0314 0040B	Philips Pan Head Screw - M4x4	33 -103
0314 0060B	Philips Truss Head Screw - M4x6	25 -106
0314 0080Z	Philips Screw - 4x8	39 -107
0323 0100Z	Philips Sunken Head Screw - M3x10	53 -105
0353 0030B	Philips Truss Head Screw - M3x3	27 -109
0353 0040B	Screw - M3X4	27 -110
0353 0040B	Screw - M3X4	33 -101
0353 0040H	Screw:M3x4	11 -101
0353 0040Z	Binding Head Screw M3x4 (100pcs)	45 -116
0353 0050B	Philips Truss Head Screw - M3x5	35 -102
0353 0050B	Philips Truss Head Screw - M3x5	39 -111
0353 0050B	Philips Truss Head Screw - M3x5	25 -109
0353 0050B	Philips Truss Head Screw - M3x5	33 -104
0353 0050Z	Philips Truss Head Screw - M3x5	13 -102
0353 0050Z	Philips Truss Head Screw - M3x5	45 -107
0353 0060B	Philips Pan Head Screw - M3x6	31 -107
0353 0060B	Philips Pan Head Screw - M3x6	47 -103
0353 0080Z	Philips Truss Head Screw - M3x8	55 -102
0353 0120Z	Screw - M3x12	39 -101
0353 0350B	Philips Pan Head Screw - M3x35	29 -103
0353 0350B	Philips Pan Head Screw - M3x35	25 -112
0354 0060B	Screw - M4X6	39 -112
0354 0060B	Screw - M4X6	35 -101
0354 0060B	Screw - M4X6	33 -107

Part No.	Description	Page and Index No.
0354 0080Z	Screw - M4X8	49 -106
0354 0140B	Screw - M4X14	49 -107
0450 3006B	Tapping Screw - M3x6	39 -109
0450 3006B	Tapping Screw - M3x6	25 -105
0450 3006B	Tapping Screw - M3x6	21 -115
0450 3006B	Tapping Screw - M3x6	19 -110
0450 3008B	Tapping Screw - M3x8	19 -112
0450 3008B	Tapping Screw - M3x8	37 -105
0450 3008H	Tapping Screw - M3x8	9 -101
0450 3012B	Tapping Screw - 3x12	43 -102
0450 4006B	Tapping Screw - 4x6	33 -115
0450 4008B	Tapping Screw - 4x8	43 -103
0450 4008B	Tapping Screw - 4x8	41 -104
0450 4008B	Tapping Screw - 4x8	45 -103
0450 4008B	Tapping Screw - 4x8	19 -108
0450 4010B	Tapping Screw - 4x10	9 -103
0450 4025B	Tapping Screw With Washer - M4x25	53 -102
0451 3006B	Tapping Screw - M3x6	29 -101
0451 3006B	Tapping Screw - M3x6	21 -106
0451 3006B	Tapping Screw - M3x6	51 -105
0451 3006B	Tapping Screw - M3x6	27 -101
0451 3006B	Tapping Screw - M3x6	45 -104
0451 3006B	Tapping Screw - M3x6	13 -101
0451 3006B	Tapping Screw - M3x6	53 -106
0451 3006B	Tapping Screw - M3x6	19 -107
0451 3006B	Tapping Screw - M3x6	49 -110
0451 3006B	Tapping Screw - M3x6	55 -101
0451 3006B	Tapping Screw - M3x6	57 -103
0451 3006B	Tapping Screw - M3x6	15 -105
0451 3006B	Tapping Screw - M3x6	17 -101
0451 3006B	Tapping Screw - M3x6	55 -103
0451 3006B	Tapping Screw - M3x6	47 -114
0451 3006B	Tapping Screw - M3x6	31 -119
0451 3006B	Tapping Screw - M3x6	23 -104
0451 3006B	Tapping Screw - M3x6	25 -102

Part No.	Description	Page and Index No.
0451 3006B	Tapping Screw - M3x6	41 -101
0451 3006B	Tapping Screw - M3x6	9 -104
0451 3006H	Tapping Screw - 3X6	25 -108
0451 3008B	Tapping Screw - M3x8	43 -105
0451 3008B	Tapping Screw - M3x8	17 -103
0451 3008B	Tapping Screw - M3x8	29 -105
0451 3008B	Tapping Screw - M3x8	45 -115
0451 3008B	Tapping Screw - M3x8	13 -104
0451 3008W	Tapping Screw M3x8	29 -102
0451 3008W	Tapping Screw M3x8	27 -102
0451 3008W	Tapping Screw M3x8	25 -110
0451 3010H	Tapping Screw - 3x10	9 -105
0451 4006B	Tapping Screw - 4x6	53 -101
0451 4006B	Tapping Screw - 4x6	31 -105
0451 4006B	Tapping Screw - 4x6	41 -102
0451 4006B	Tapping Screw - 4x6	47 -110
0451 4006B	Tapping Screw - 4x6	49 -102
0451 4006B	Tapping Screw - 4x6	23 -102
0451 4006B	Tapping Screw - 4x6	57 -102
0451 4006B	Tapping Screw - 4x6	19 -109
0451 4006B	Tapping Screw - 4x6	45 -106
0451 4006B	Tapping Screw - 4x6	57 -114
0451 4006B	Tapping Screw - 4x6	51 -103
0451 4006B	Tapping Screw - 4x6	43 -106
0451 4006B	Tapping Screw - 4x6	21 -105
0451 4008H	Tapping Screw - 4x8	9 -102
0451 4008H	Tapping Screw - 4x8	25 -107
0451 4008W	Tapping Screw - M4x8	41 -108
0451 4008W	Tapping Screw - M4x8	23 -109
0451 4008W	Tapping Screw - M4x8	47 -115
0451 4008W	Tapping Screw - M4x8	57 -104
0451 4008W	Tapping Screw - M4x8	31 -112
0451 4008W	Tapping Screw - M4x8	51 -106
0451 4008W	Tapping Screw - M4x8	21 -108
0451 4012B	Tapping Screw - 4x12	23 -114

Part No.	Description	Page and Index No.
0451 4012H	Tapping Screw - 4x12	9 -106
0451 4014B	Tapping Screw - M4x14	41 -103
0451 4014B	Tapping Screw - M4x14	45 -112
0452 3006B	Tapping Screw - M3x6	37 -106
0452 3008H	Binding Self-tapping Screw - 3x8	11 -102
0452 3008H	Binding Self-tapping Screw - 3x8	43 -101
0453 3006B	Tapping Screw - M3x6	53 -108
0453 3006B	Tapping Screw - M3x6	57 -105
0453 3006B	Tapping Screw - M3x6	27 -107
0453 3006B	Tapping Screw - M3x6	21 -116
0453 3006B	Tapping Screw - M3x6	49 -109
0453 3014B	Tapping Screw - M3x14	15 -101
0574 0040E	Hexagon Headless Set Screw - M4x4	25 -104
0574 0040E	Hexagon Headless Set Screw - M4x4	21 -110
0574 0050E	Hexagon Headless Set Screw - M4x5	21 -113
0574 0080E	Hexagon Headless Set Screw - M4x8	49 -105
0575 0050E	Hexagon Headless Set Screw - M5x5	17 -102
0575 0060E	Hexagon Headless Set Screw - M5x6	47 -109
0575 0080E	Hexagon Headless Set Screw - M5x8	39 -105
0584 0121Z	Hexagon Bolt - M4x12	31 -103
0593 0040B	Hexagonal Set Screw - M3x4	31 -110
0593 0060B	Hexagonal Bolt - M3x6	31 -115
0593 0080E	Bolt - M3x8	31 -101
0593 0100Z	Bolt M3x10	37 -107
0594 0080B	Hexagon Hole Bolt - M4x8	33 -111
0594 0080B	Hexagon Hole Bolt - M4x8	39 -104
0594 0080E	Bolt - M4x8	19 -102
0594 0080E	Bolt - M4x8	21 -111
0594 0080Z	Bolt - M4x8	37 -108
0594 0120W	Hexagon Bolt - M4x12	39 -110
0622 5140E	Spring Pin - 2.5x14mm	47 -101
0623 0080E	Spring Pin - 3x8mm	31 -114
0624 0160E	Spring Pin - 4x16mm	21 -109
0633 0100G	Parallel Pin - 3x10	31 -118
0633 0140G	Parallel Pin - 3x14	23 -107

Part No.	Description	Page and Index No.
0633 0140G	Parallel Pin - 3x14	41 -106
0633 0140G	Parallel Pin - 3x14	23 -112
0701 0030Z	Flat Washer - M3	23 -110
0701 0030Z	Flat Washer - M3	31 -113
0701 0040Z	Flat Washer - M4	21 -112
0701 0040Z	Flat Washer - M4	19 -101
0701 0060Z	Flat Washer - M6	21 -102
0707 8100B	Bushing - M8x10	23 -101
0710 0040Z	Hex Nut 4	31 -102
0720 0020E	Retaining Ring - M2	37 -101
0720 0020E	Retaining Ring - M2	45 -111
0720 0030E	Retaining Ring - M3	45 -101
0720 0030E	Retaining Ring - M3	47 -108
0720 0030E	Retaining Ring - M3	27 -103
0720 0030E	Retaining Ring - M3	23 -106
0720 0030Z	Retaining Ring - M3	43 -104
0720 0040E	Retaining Ring - M4	49 -101
0720 0040E	Retaining Ring - M4	47 -116
0720 0040E	Retaining Ring - M4	31 -104
0720 0040E	Retaining Ring - M4	35 -103
0720 0040E	Retaining Ring - M4	19 -105
0720 0040E	Retaining Ring - M4	23 -113
0720 0040E	Retaining Ring - M4	25 -103
0720 0040E	Retaining Ring - M4	29 -104
0720 0040E	Retaining Ring - M4	21 -101
0720 0040E	Retaining Ring - M4	45 -102
0720 0040E	Retaining Ring - M4	27 -106
0720 0050E	Retaining Ring - M5	33 -113
0720 0050E	Retaining Ring - M5	39 -108
0720 0050Z	Retaining Ring - M5	23 -111
0720 0060E	Retaining Ring - M6	47 -106
0720 0060E	Retaining Ring - M6	41 -105
0720 0060E	Retaining Ring - M6	19 -104
0720 0060E	Retaining Ring - M6	33 -109
0720 0060E	Retaining Ring - M6	31 -116

Part No.	Description	Page and Index No.
0720 0060E	Retaining Ring - M6	23 -108
0720 0080E	Retaining Ring - M8	31 -106
0720 0080E	Retaining Ring - M8	21 -103
0725 0160E	Retaining Ring C - M16	39 -103
0740 3010	Ball Bearing - 10x26x8mm	47 -104
0740 3010	Ball Bearing - 10x26x8mm	47 -112
0740 3908	Ball Bearing - 8x19x6	21 -104
0741 3706	Ball Bearing - 6x10x3	21 -107
0801 0103	Screw - M4X8	35 -104
0801 0103	Screw - M4X8	33 -108
0801 0150	Philips Screw - M4x8	57 -110
0802 5276	Tapping Screw With Washer - M3x6	15 -102
0804 6091	Hexagonal Set Screw - M2x5	37 -110
0804 6107	Hexagon Bolt - M2x4	37 -103
0804 6107	Hexagon Bolt - M2x4	27 -105
0805 3368	Ball Bearing - 8x16x5mm	23 -103
0805 3385	Bushing - 6mm	45 -108
0807 4043	Spacer	33 -110
0807 5009	Spacer - 8.1x11.5x0.1mm	47 -102
0807 7013	Spacer - 10.2x14x0.2 mm	47 -117
0807 7046	Washer - 10.5x20x0.2mm	47 -107
0807 7114	Washer - 16x24x0.3mm	39 -102
0808 0021	Rubber Ring	33 -112
0950 4010B	Sems Screw - M4x10	45 -105
0951 3006W	Philips Screw With Flat Washer - M3x6	31 -108
0951 3006Z	Philips Screw With Flat Washer - M3	17 -105
0951 3006Z	Philips Screw With Flat Washer - M3	33 -117
0951 3006Z	Philips Screw With Flat Washer - M3	37 -109
0951 3008Z	Philips Screw With Flat Washer - M3	35 -105
0951 3010Z	Philips Screw With Flat Washer - M3	45 -113
0951 3012B	Philip Screw With Flat Washer - M3x12	19 -103
0951 4006Z	Philips Screw With Flat Washer - M4	39 -106
0951 4006Z	Philips Screw With Flat Washer - M4	33 -114
0951 4010Z	Philips Screw With Flat Washer - M4	33 -102
0951 4020B	Philips Screw With Washer - M4x20	57 -101

Part No.	Description	Page and Index No.
0951 5020B	Polished Round Screw - M5x20	47 -105
0954 4008B	Philips Screw - M4x8	45 -114
0954 4008B	Philips Screw - M4x8	47 -113
0954 4008B	Philips Screw - M4x8	51 -102
1102 4203	CT Header - 4P	63 -101
1102 4205	CT Header - 6P	63 -102
1102 4212	CT Header - 15P	63 -103
1102 4684	Connector - 5566-06R-210	63 -104
1102 5411	Connector - 24P	63 -105
1102 5413	Connector - 28P	63 -106
1102 5414	Connector - 30P	63 -107
1102 6593	Connector - 9P	63 -108
1102 6595	Connector - 11P	63 -109
1102 7445	Connector - 46P	51 -110
1102 7857	Connector - B32B-KRWK-1C	63 -110
1102 8063	Connector - 54373-0600	63 -111
1102 8401	Connector:B14B-CZHK-B-1	63 -112
1102 8408	Connector - B24B-CZWK-B-1	63 -113
1102 8410	Connector - B28B-CZWK-B-1	63 -114
1102 8596	Connector - B30B-CZWK-B-1	63 -115
1102 9053	Connector - FX2CA1-60P-1.27DSAL	63 -116
1104 0588	DIP Socket - 28p	63 -117
1105 0016	Nylon Clamp - 4n	33 -116
1105 0016	Nylon Clamp - 4n	37 -102
1105 0195	PCB Stud	15 -104
1105 0267	Harness Clamp - YMC-10-0	41 -107
1105 0267	Harness Clamp - YMC-10-0	45 -109
1105 0310	Harness Clamp - LWS-1S	45 -110
1105 0328	Harness Clamp - ES-0505	29 -109
1105 0428	Clamp	57 -113
1105 0460	Clamp	15 -103
1105 0488	Harness Clamp	57 -111
1105 0488	Harness Clamp	31 -111
1105 0488	Harness Clamp	13 -103
1105 0488	Harness Clamp	29 -108

Part No.	Description	Page and Index No.
1105 0488	Harness Clamp	51 -104
1105 0489	Harness Clamp - LWS 1316	23 -105
1105 0490	Harness Clamp - IWS-2218	51 -107
1105 0508	Harness Clamp - LWS-0711	49 -108
1105 0508	Harness Clamp - LWS-0711	29 -106
1105 0508	Harness Clamp - LWS-0711	27 -104
1105 0508	Harness Clamp - LWS-0711	57 -108
1105 0508	Harness Clamp - LWS-0711	53 -107
1105 0511	Harness Clamp - LWS-0306ZC	47 -111
1105 0511	Harness Clamp - LWS-0306ZC	49 -104
1105 0511	Harness Clamp - LWS-0306ZC	21 -114
1105 0511	Harness Clamp - LWS-0306ZC	31 -117
1105 0511	Harness Clamp - LWS-0306ZC	53 -111
1105 0511	Harness Clamp - LWS-0306ZC	57 -107
1105 0516	Clamp	25 -111
1105 0516	Clamp	19 -106
1105 0516	Clamp	33 -105
1105 0518	Edge Saddle - LES-1010	33 -106
1105 0518	Edge Saddle - Les-1010	29 -107
1105 0534	Clamp	39 -113
1106 0167	Bushing - 11mm	57 -112
1106 0349	Bushing - 25	57 -109
1106 0351	Bushing - 12x35x48	57 -106
1107 0652	Fuse (glass Case) - 10A - 125V	51 -111
1107 0868	Fuse - 5A 125V	51 -108
1107 0880	Fuse - 6.3A 250V	51 -109
1107 0914	Fuse - 1A:125V	55 -105
1204 2497	Micro Switch	53 -104
1204 2501	Main Switch	53 -103
1400 0455	Transistor - 2SC2873Y	63 -118
1400 0920	Transistor - DTC143EUA	63 -119
1400 0983	Transistor:2SD2257	63 -120
1401 0400	Transistor Array - SLA4060	63 -121
1402 0804	Silicon Diode - 45V - 0.3A	63 -122
1402 1041	Diode - DA204U	63 -123

Part No.	Description	Page and Index No.
1402 1342	Diode - 1SR154-400	63 -124
1403 0828	Diode - SEC1901C	63 -125
1403 0829	Diode - SEC1201C	63 -126
1407 1535	IC - TD62308AP	63 -127
1407 2187	TTLIC - SN74LS07NS	63 -128
1407 2219	IC - TD62003AP	63 -129
1407 4870	CMOSIC - 74VHC08 TSSOP	63 -130
1407 4874	CMOSIC - 74VHC32 TSSOP	63 -131
1407 4879	CMOS IC - 74VHC74 TSSOP	63 -132
1407 4898	IC - 74VHC14 TSSOP	63 -133
1407 4900	IC - 74VHC138 TSSOP	63 -134
1407 4901	IC - 74VHC139 TSSOP	63 -135
1407 4902	IC - 74VJC157 TSSOP	63 -136
1407 4919	IC - 74VHCT244 TSSOP	63 -137
1407 5162	IC - HD6412350F20	63 -138
1407 5331	IC - TC7MB3245FK	63 -139
1407 5403	RAM:M48T35Y-70PC1	63 -140
1407 5634	IC:SN74IV20APW	63 -141
1407 5744	IC - STK672-330	63 -142
1407 5816	Motor Control IC:STK672-081	63 -143
1408 0575	IC - M51957BFP	63 -144
1408 0595	IC - NJM2904M	63 -145
1408 0826	IC - TA8428K	63 -146
1408 0827	IC - TA8429H	63 -147
1408 1095	IC - BA10324AF	63 -148
1408 1204	IC - TA8083P	63 -149
1408 1408	IC - STK672-060	63 -150
1408 1410	IC - STK672-120	63 -151
1408 1466	Series Regulator - TA78M05S	63 -152
1408 1668	IC - REGULATOR-R1170H251B	63 -153
1408 1774	Series Regulator:UPC2933AT	63 -154
1503 0837	Oscillator - 21.576Mhz	63 -155
1503 0863	Oscillator - 14.7456Mhz	63 -156
1503 0871	Oscillator - 44Mhz	63 -157
1601 7751	Resistor - 4.7K Ω \pm 5%	63 -158

Part No.	Description	Page and Index No.
1601 7752	Resistor Array - 10K Ω \pm 5%	63 -159
1601 7814	Resistor - 3.3K Ω \pm 5%	63 -160
1601 7867	Resistor - 33 Ω \pm 5% 1/16W	63 -161
1601 8172	Variable Resistor - 30K Ω	63 -162
1602 0987	Capacitor & Coil - 270pF 100V	63 -163
1605 0744	Capacitor - EMK212F105Z	63 -164
1605 0781	Capacitor - 5pF 50V	63 -165
1605 1136	Ceramic Capacitor - 33000pF \pm 10% 2	63 -166
1605 1161	Capacitor - 0.33 μ F \pm 10% 10V	63 -167
1605 1190	Ceramic Capacitor - 0.022 μ F \pm 10% 50V	63 -168
1605 1225	Capacitor - 0.1 μ F \pm 10% 50V	63 -169
1607 0534	Ferrite Core - ZCAR3035-1330	53 -112
1607 0663	Ferrite CoreE - TFC-20-10-10	55 -104
1607 0807	Filter - BK1608HS601	63 -170
1607 0815	BLM41P600SPB	63 -171
1607 0869	Ferrite Core - ZCAT2035-0930A	51 -112
1607 0869	Ferrite Core - ZCAT2035-0930A	53 -110
1607 0870	Filter - BK1608HS121	63 -172
1607 0906	EMI Filter ACF321825-101	63 -173
1607 1016	Filter Array - MZA3216R301A	63 -174
1607 1018	Filter - ACB1608H-120	63 -175
1610 1234	Resistor - 47 Ω 1W \pm 5%	63 -176
1634 0000	Resistor - 0 Ω 1/16W	63 -177
1640 1101	Capacitor - 100 μ F - \pm 20% 16V	63 -178
1640 2470	Capacitor - 47 μ F \pm 20% 25V	63 -179
1640 5100	Capacitor - 10 μ F +20% 50	63 -180
1640 5101	Capacitor - 100 μ F \pm 20% 50V	63 -181
1650 2122	Chip Resistor:1.2k Ω	63 -182
1650 2471	Chip Resistor:470 Ω	63 -183
1650 3151	Resistor - 150 Ω \pm 5%1/8W	63 -184
1650 3241	Resistor - 240 Ω \pm 5%1/8W	63 -185
1650 3471	Resistor - 470 Ω \pm 5%1/8W	63 -186
1650 4101	Resistor - 100 Ω \pm 5%1/10W	63 -187
1650 4102	Resistor - 1K Ω \pm 5% 1/10W	63 -188
1650 4103	Resistor - 10K Ω \pm 5% 1/10W	63 -189

Part No.	Description	Page and Index No.
1650 4105	Resistor - 1M Ω \pm 5% 1/10W	63 -190
1650 4152	Resistor - 1.5K Ω \pm 5% 1/10W	63 -191
1650 4221	Resistor - 220 Ω \pm 5%1/10W	63 -192
1650 4222	Resistor - 2.2K Ω \pm 5%1/10W	63 -193
1650 4244	Resistor:240k Ω : \pm 5%:1/10W:1608	63 -194
1650 4271	Resistor - 270 Ω \pm 5%1/10W	63 -195
1650 4330	Chip Resistor - 33 Ω \pm 5% 1/10W	63 -196
1650 4332	Resistor - 3.3K Ω \pm 5%1/10W	63 -197
1650 4471	Resistor - 470 Ω \pm 5%1/10W	63 -198
1650 4472	Resistor - 4.7K Ω \pm 5% 1/10W	63 -199
1650 4473	Resistor - 47K Ω \pm 5%1/10W	63 -200
1650 4514	Resistor - 510K Ω \pm 5% 1/10W	63 -201
1650 4683	Resistor - 68K Ω \pm 5% 1/10W	63 -202
1650 4824	Resistor:820k Ω : \pm 5%:1/10W:1608	63 -203
1654 1000	Resistor - 100 Ω \pm 1% 1/10W	63 -204
1654 1001	Resistor - 1K Ω \pm 1%1/10W	63 -205
1654 1002	Resistor - 10K Ω \pm 5%1/10W	63 -206
1654 1301	Chip Resistor:1.3k Ω :1/10W	63 -207
1654 1500	Resistor - 150 Ω \pm 1 %1/10W	63 -208
1654 1600	Chip Resistor:160 Ω	63 -209
1654 1911	Resistor - 1.91K Ω \pm 1% 1/10W 1608	63 -210
1654 3002	Resistor - 30K Ω \pm 1%1/10W	63 -211
1654 3741	Chip Resistor:3.74k Ω	63 -212
1654 3831	Resistor - 3.83K Ω \pm 1% 1/10W 1608	63 -213
1654 4020	Chip Resistor:402 Ω	63 -214
1654 4700	Resistor - 470 Ω \pm 1%1/10W	63 -215
1654 4751	Chip Resistor:4.75k Ω	63 -216
1654 5100	Resistor:510 Ω : \pm 1%:1/10W	63 -217
1654 5101	Resistor - 5.1K Ω \pm 1% 1/10W	63 -218
1654 5621	Resistor:5.62k Ω : \pm 1%:1/10W	63 -219
1654 6809	Resistor - 68 Ω \pm 1%1/10W	63 -220
1654 8200	Resistor - 820 Ω \pm 1%1/10W	63 -221
1660 0100	Capacitor - 10PF \pm 0.5pF 50V	63 -222
1660 2101	Capacitor - 100pF - \pm 10% - 50V	63 -223
1660 2151	Capacitor - 150pF \pm 20% 35V	63 -224

Part No.	Description	Page and Index No.
1660 2220	Capacitor - 22pF \pm 20% 35V	63 -225
1660 2470	Capacitor - 47pF \pm 5% 50V	63 -226
1660 2471	Capacitor - 470pF - \pm 5% - 50V	63 -227
1660 4102	Capacitor - 1000pF \pm 10% 50V	63 -228
1660 4103	Capacitor - 10000pF - \pm 10% - 50V	63 -229
1660 8104	Capacitor - 0.1 μ F +80-20% 25V	63 -230
1902 0068	RAM:1M:X8:TSOP:G4	63 -231
1904 0013	SRAM - 256K X8 20ns G2	63 -232
1906 0018	Flash Memory - MBM29F160BE70TH	63 -233

Part No.	Description	Page and Index No.
5053 0223	Bushing - 8mm	31 - 48
5053 0223	Bushing - 8mm	23 - 35
5053 0419	Bushing - 10mm	21 - 25
5053 0419	Bushing - 10mm	31 - 39
5054 0536	Magnet Catch Ass'y	25 - 39
5054 0536	Magnet Catch Ass'y	33 - 19
5054 0536	Magnet Catch Ass'y	53 - 3
5054 0536	Magnet Catch Ass'y	23 - 32
5219 1957	Stepped Screw - M4	19 - 39
5442 1924	Exposure Glass Cushion	13 - 3
5446 3648	Stepped Screw - M4	47 - 25
5501 8195	Steel Ball 3/16,	23 - 36
5506 6111	Stepped Screw - M4	31 - 37
5506 6197	Screw - Knife Cam - Leading Edge CL	47 - 24
5606 2310	Roller	19 - 43

Part No.	Description	Page and Index No.